

TAKT™



T01 Cross Chair

Building Instructions

T01 Cross Chair

Building Instructions

Important Notice

Only use the listed tools.

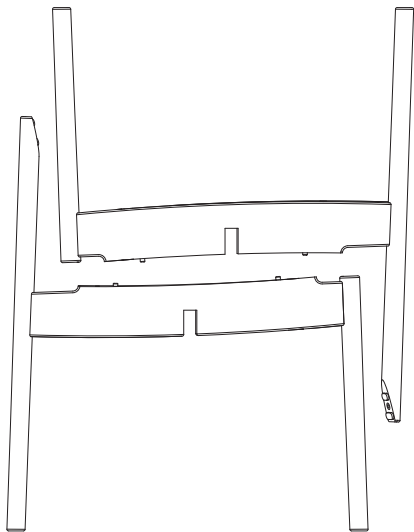
Do **not** use power tools.

Tighten in accordance with the building instructions.

Avoid over-tightening.

There is no need for strong force.

2 x base components



4x screws (85mm)



4x metal washers



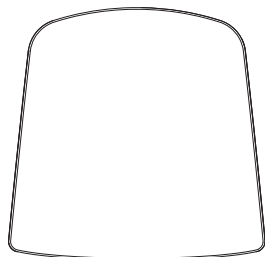
1x backrest



2x screws (20mm)



1x seat



2x metal collars



1x Allen key



Product Information

'T01 Cross Chair' is a chair designed for indoor use.

The chair is tested according to EN-16139 - L1.

Weight

5,0 kg

Materials

Seat and back: Molded plywood (oak and beech)

Frame: Solid oak

Surface treatment: Water-based lacquer

Fittings: Steel

Tests & Declarations

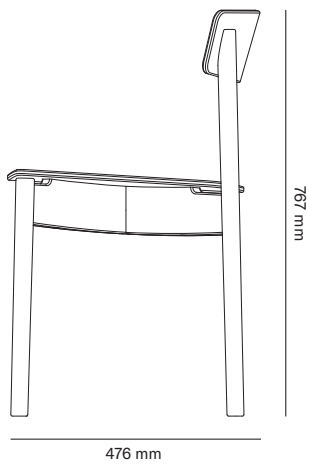
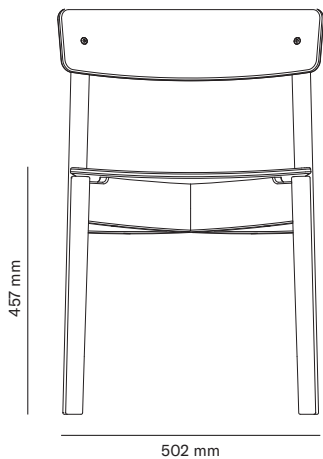
The chair has passed the furniture test EN-16139 - L1.

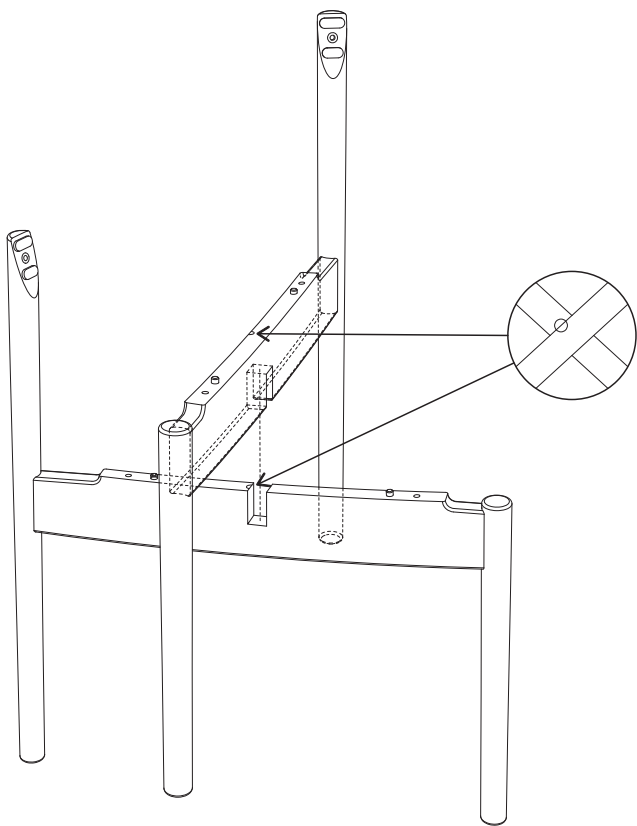
The chair is not treated with or containing disinfective biocides.



The mark of
responsible forestry

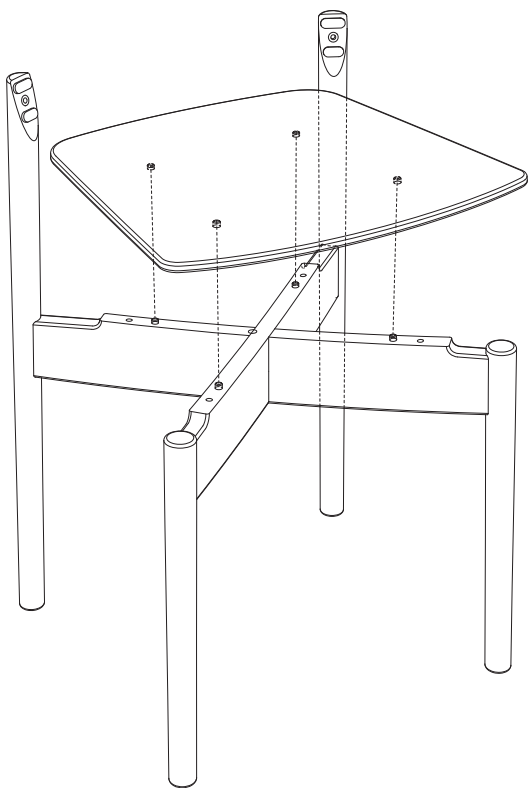
Dimensions



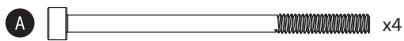
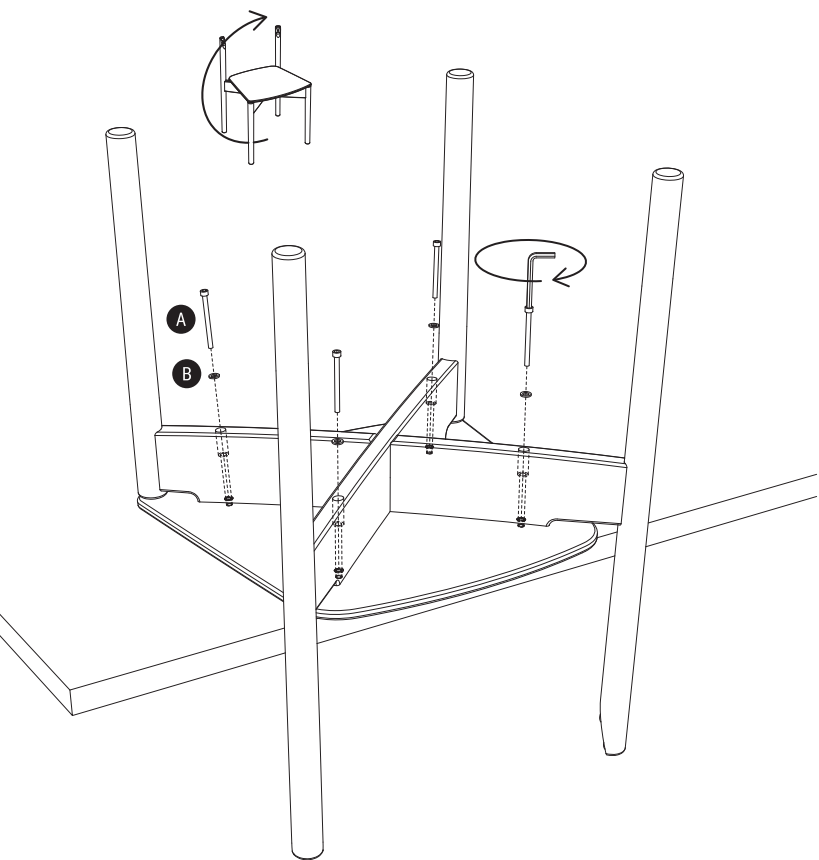


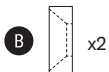
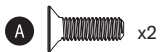
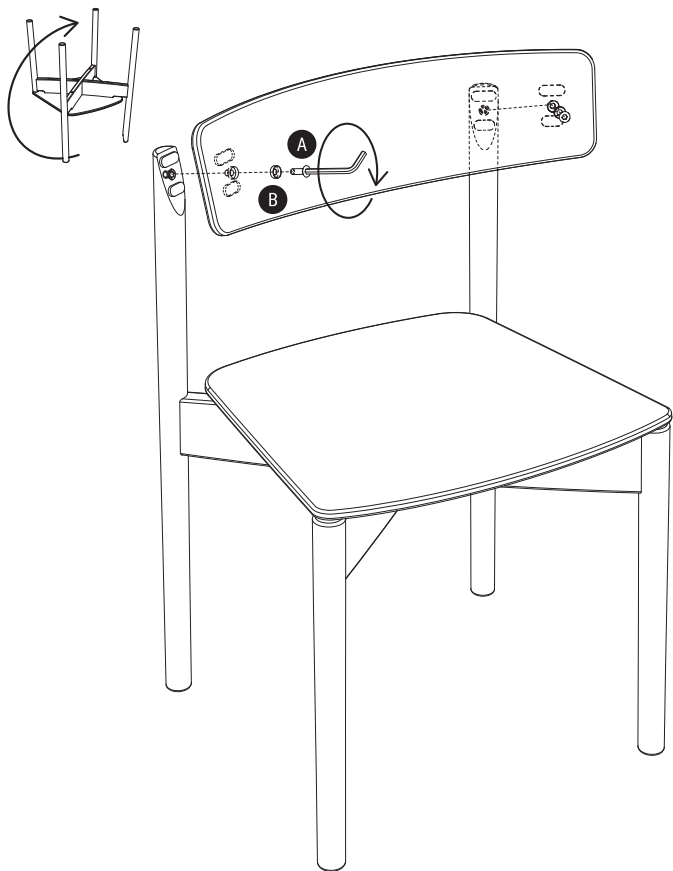
8

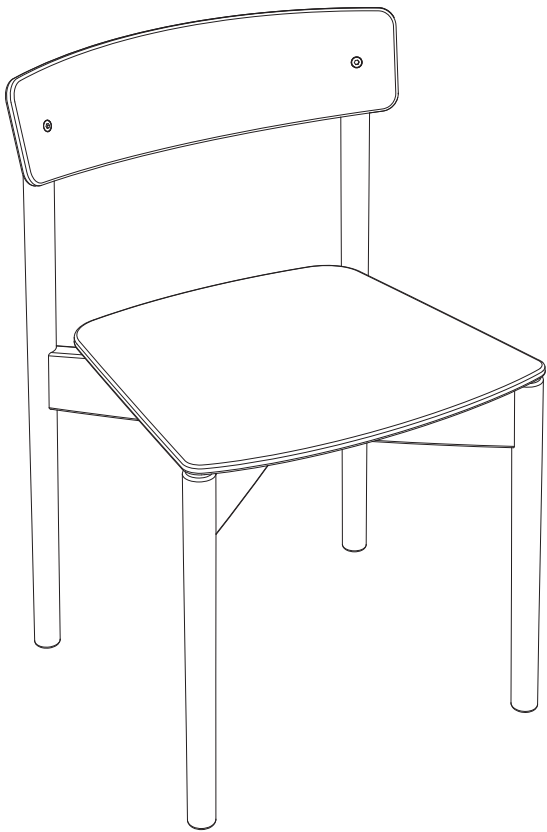
Join the base components



Place the seat on top of the base components







Enjoy your new chair.

Additional Information

TAKT provides an extended warranty of 5 years on 'T01 Cross Chair'.

Warranty

The warranty covers breakage of frames and damage occurred because of deficient craftsmanship under normal use.

The warranty shall lapse if the product shows signs of inappropriate use or other physical damage. The warranty does not cover wear or damage to upholstery, wheels, surfaces and the like.

Maintenance

TAKT maintenance guide is accessible on our web site.

[www.taktcph.com/
product-care/](http://www.taktcph.com/product-care/)

Spare Parts

TAKT offers spare parts for 'T01 Cross Chair'. Spare parts are available from TAKT without charge for a period of five years from the date of purchase if the parts are found to be faulty during normal use. If the parts are damaged by misuse, spare parts can be purchased from TAKT.

TAKT always strives to deliver spare parts to you in the fastest and most efficient way in order for your furniture to return to a functional condition.

Please contact TAKT for enquiries regarding spare parts.

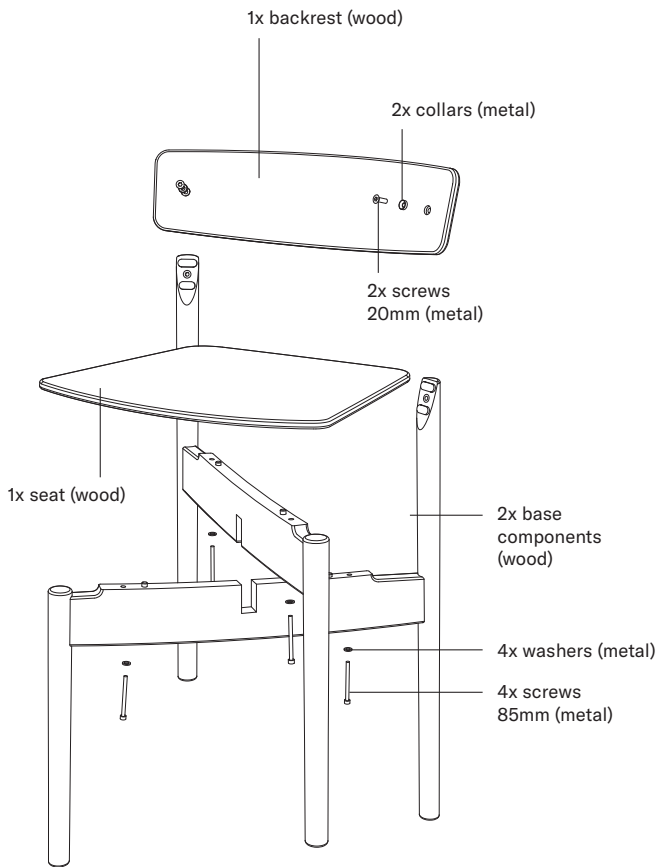
Recycling & Disassembly

We hope that your TAKT product will serve you well for many, many years. If you at one point want to recycle it, please separate its components for sorting.

Loosen screws by turning the Allen key counterclockwise to separate the different parts.

Metal parts can be delivered to a suitable facility for recycling. Wooden parts can also be delivered to a suitable facility for recycling or used for energy recovery through incineration.

info@taktcph.com



TAKT™

taktcp.com