

TAKT™



T01 Cross Chair Tube

Building Instructions

T01 Cross Chair Tube

Building Instructions

Important Notice

Only use the listed tools.

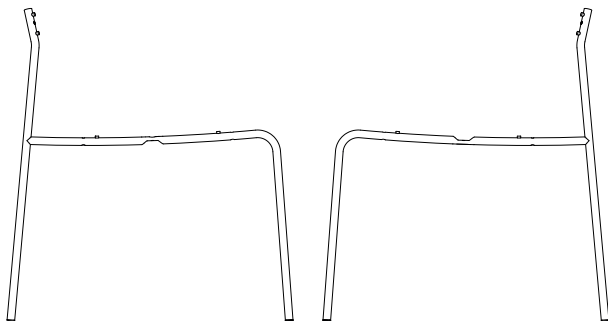
Do **not** use power tools.

Tighten in accordance with the building instructions.

Avoid over-tightening.

There is no need for strong force.

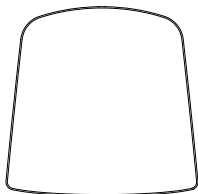
2x sides



1x backrest

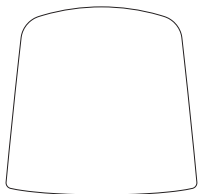


1x seat

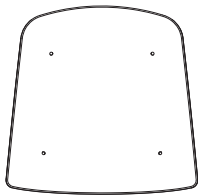


Optional upholstery

1x seat pad



1x seat



4x felt gliders



4x plast gliders



4x stacking spacers



2x metal collars



3x screws (20mm)



4x screws (30mm)



1x Allen key



Flat-head screwdriver
(not provided)



Product Information

‘T01 Cross Chair Tube’ is a chair designed for indoor use.

The chair is tested according to EN-16139 - L1.

Weight

4,9 kg

5,9 kg with seat pad

Materials

Seat and back: Moulded plywood (oak and beech)

Water based lacquer

Frame: Powder coated steel tubes

Fittings: Plastic & steel

Optional

Seat pad: Ecolabelled leather or textile, plywood.

Foam: OekoTex class 1 certified

UK version: Foam contains flame retardants melamine and TCPP and has been tested according to “BS5852 part 2 ignition source 5 crib”.

OekoTex class 2 certified

Tests & Declarations

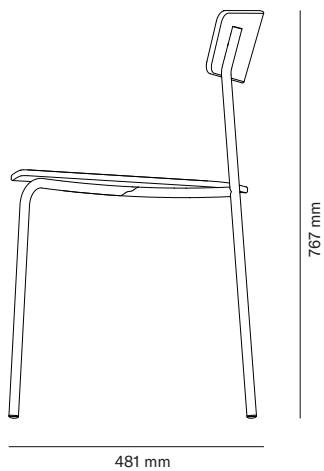
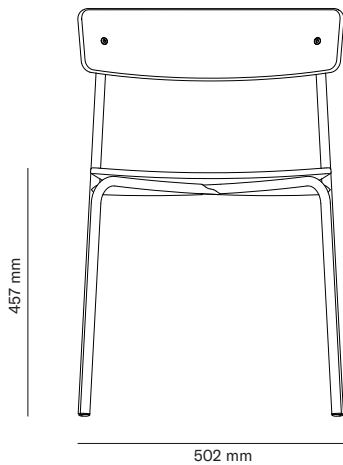
The chair has passed the furniture test EN-16139 - L1

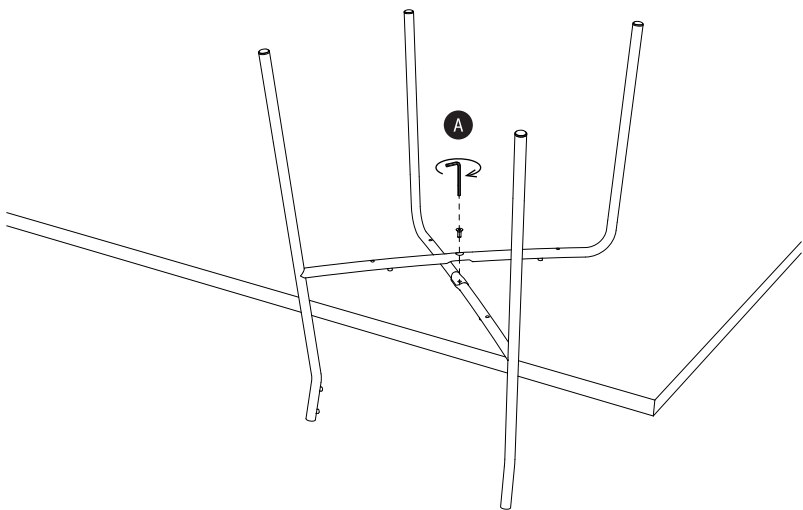
The chair is not treated with or containing disinfective biocides.



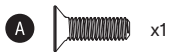
The mark of
responsible forestry

Dimensions



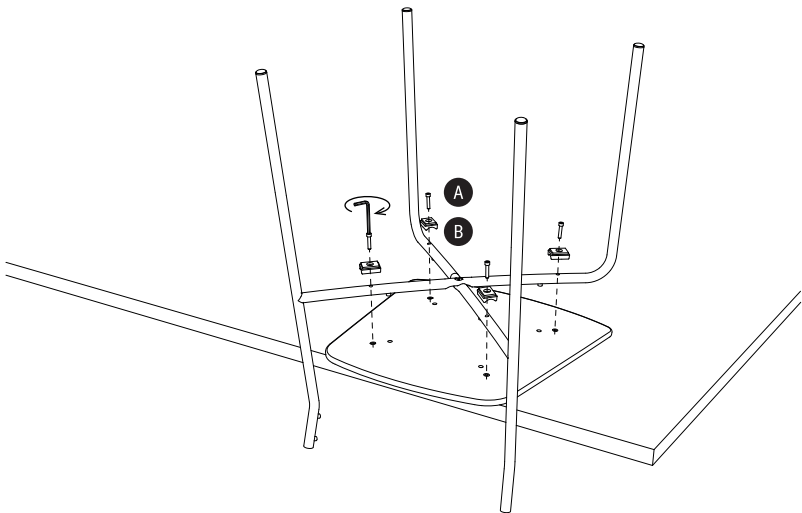
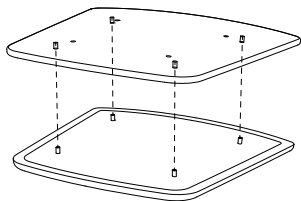


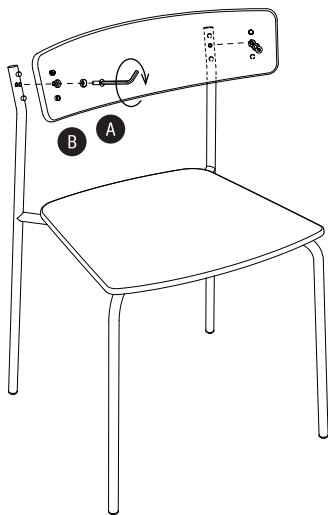
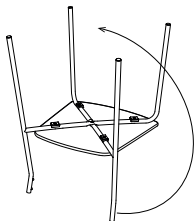
8



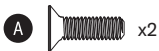
Optional

If you are mounting a upholstred seat pad - place it on the wooden seat, as showed here and fasten to metal frame.

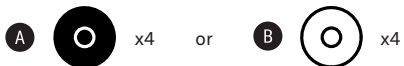
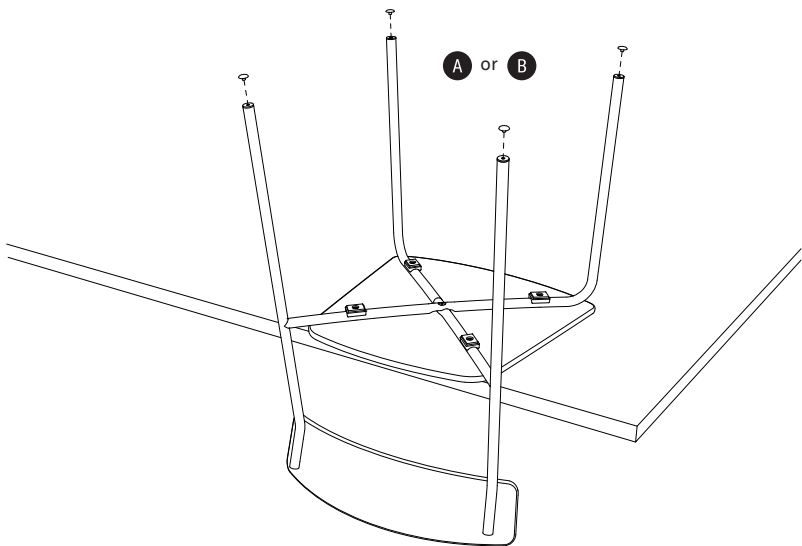


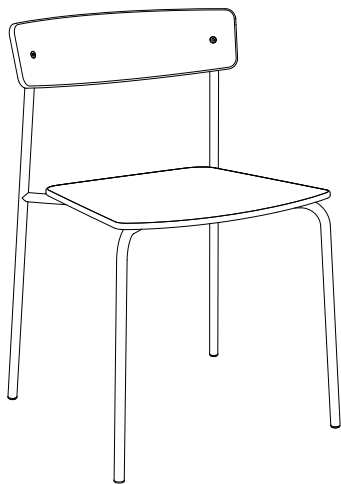


10



The chair must be fitted with either felt gliders for hard surfaces or plast glides for soft surfaces such as soft floors (carpets, etc.)





Enjoy your new chair

Additional Information

TAKT provides an extended warranty of 5 years on 'T01 Cross Chair Tube'.

Warranty

TAKT provides an extended warranty of 5 years on 'T01 Cross Chair Tube'. The warranty covers breakage of components and damage occurred because of deficient craftsmanship under normal use.

The warranty shall lapse if the product shows signs of inappropriate use or other physical damage. The warranty does not cover wear or damage to upholstery, gliders, wheels, surfaces and the like.

Maintenance

TAKT maintenance guide is accessible on our web site

www.taktcp.com/product-care/

Spare Parts

TAKT offers spare parts for 'T01 Cross Chair Tube'. Spare parts are available from TAKT without charge for a period of 5 years from the date of purchase if the parts are found to be faulty during normal use. If the parts are damaged by misuse spare parts can be bought from TAKT.

TAKT always strives to deliver spare parts to you in the fastest and most efficient way in order for your furniture to return to a functional condition.

Please contact TAKT for inquiries regarding spare parts.

Recycling & Disassembly

We hope that your TAKT product will serve you well for many, many years.

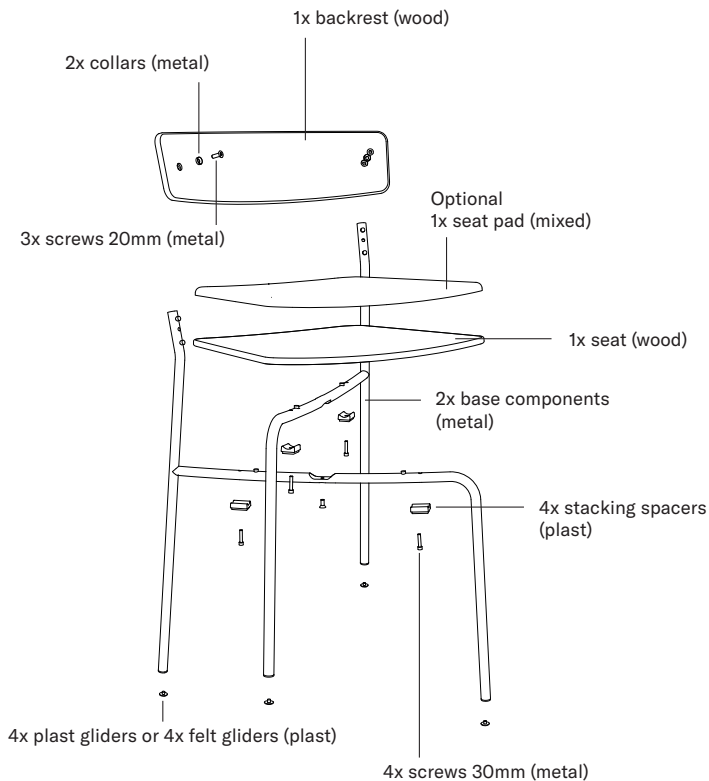
If you at one point want to recycle it, please separate it into components for sorting.

Untighten screws by turning the Allen key counter clockwise to separate the different parts.

Metal parts can be delivered to a suitable recycling facility and be recycled.

Wooden parts can be delivered to a suitable recycling facility and be recycled.

info@taktcp.com



TAKTTM

taktcp.com