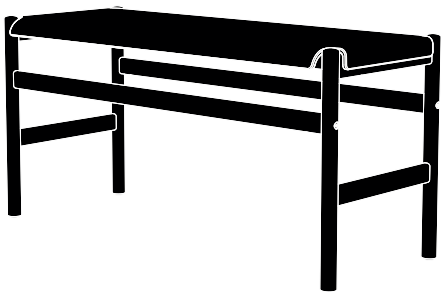


TAKT™



T05 Soft Bench

Building Instructions

T05 Soft Bench

Building Instructions

Important Notice

Only use the listed tools.

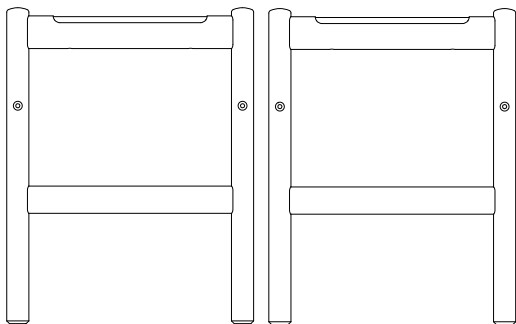
Do **not** use power tools.

Tighten in accordance with the building instructions.

Avoid over-tightening.

There is no need for strong force.

2x base components



12x wood dowels



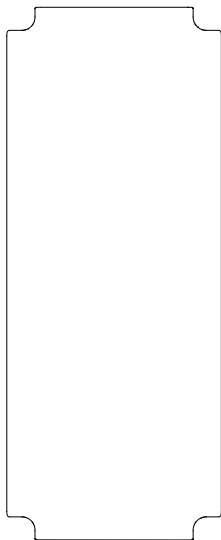
8x screws (80mm)



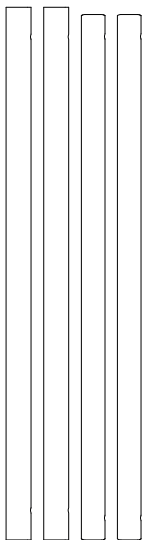
8x metal collars



1x seat



4x stretchers



8x metal-cross dowels



4x screws (45mm)



1x Allen key



Flat-head screwdriver
(not provided)



Product Information

'T05 Soft Bench' is a bench designed for indoor use.

The bench is tested according to EN-16139 - L1.

Weight

6 kg

Materials

Seat: Molded plywood

Frame: Solid wood

Surface treatment: Water based lacquer

Fittings: Steel

Tests & Declarations

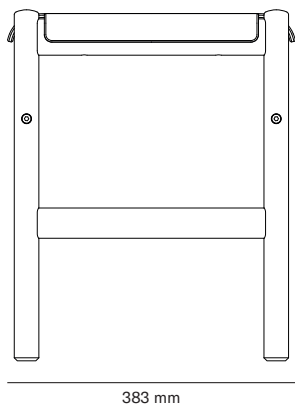
The bench has passed the furniture test EN-16139 - L1.

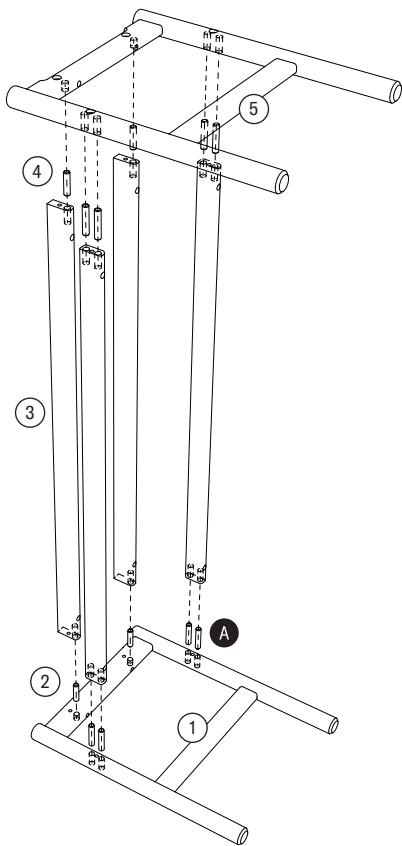
The bench is not treated with or containing disinfective biocides.

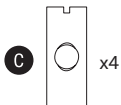
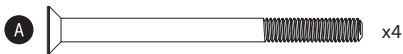
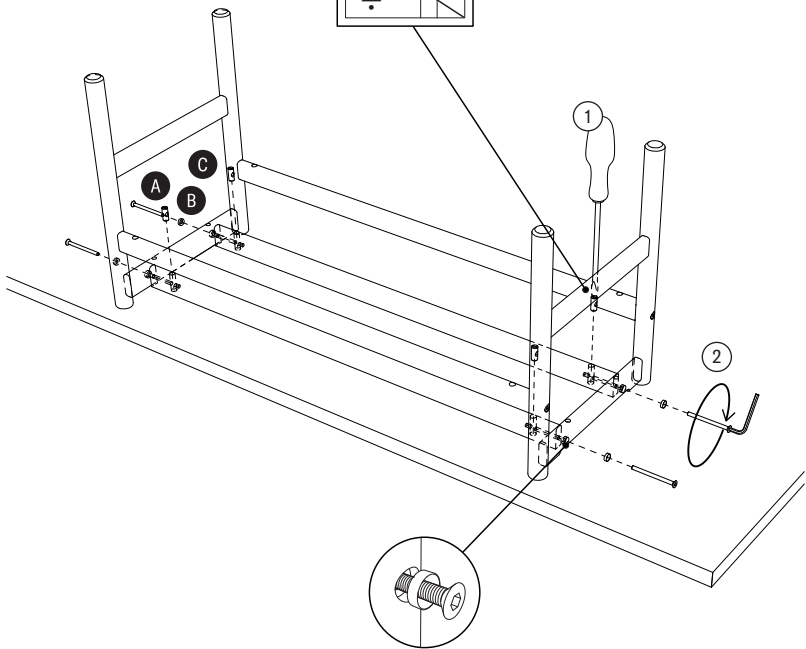
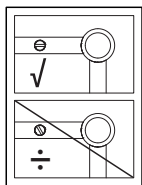
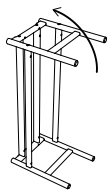


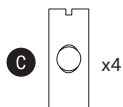
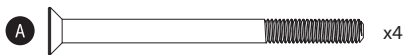
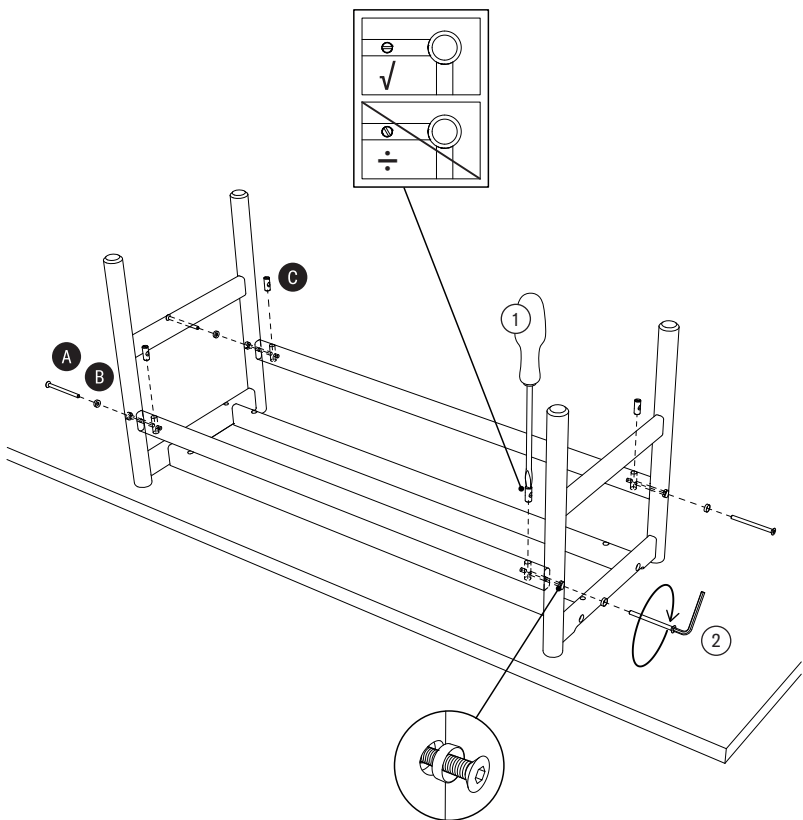
The mark of
responsible forestry

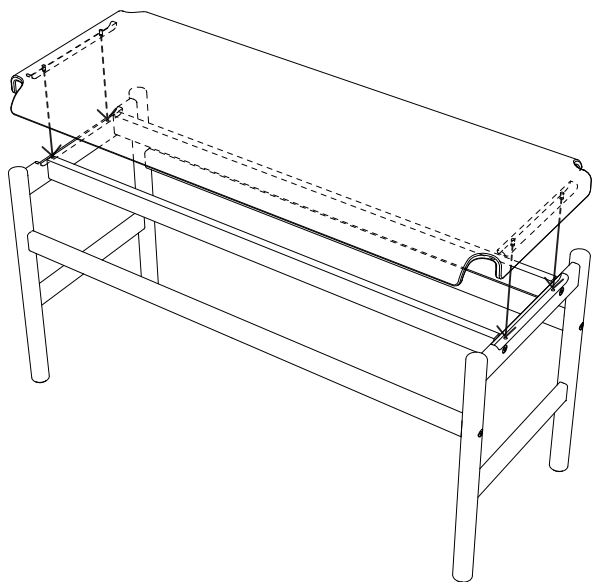
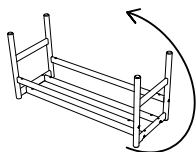
Dimensions



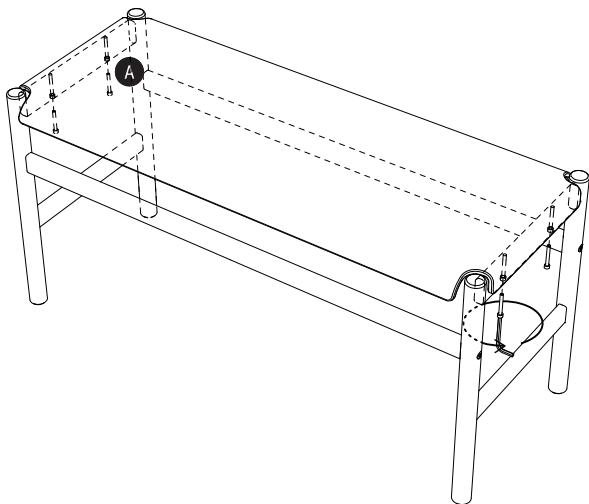






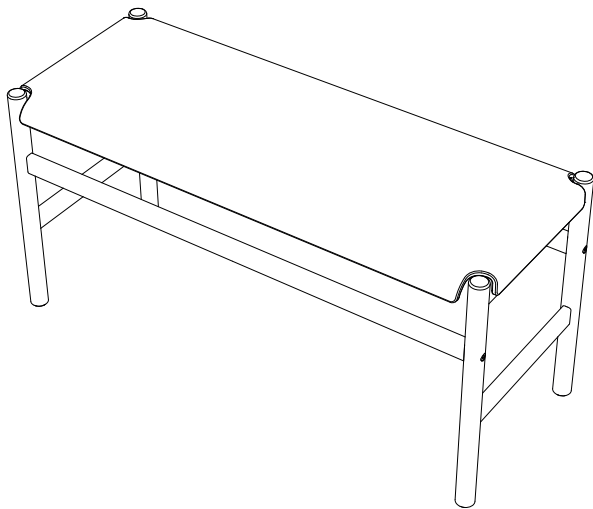


Place the seat onto the base



12





Enjoy your new bench

Additional Information

TAKT provides an extended warranty of 5 years on 'T05 Soft Bench'.

Warranty

TAKT provides an extended warranty of 5 years on 'T05 Soft Bench'. The warranty covers breakage of components and damage occurred because of deficient craftsmanship under normal use.

The warranty shall lapse if the product shows signs of inappropriate use or other physical damage. The warranty does not cover wear or damage to upholstery, wheels, surfaces and the like.

Maintenance

TAKT maintenance guide is accessible on our web site.

[www.taktcph.com/
product-care/](http://www.taktcph.com/product-care/)

Spare Parts

TAKT offers spare parts for 'T05 Soft Bench'. Spare parts are available from TAKT without charge for a period of 5 years from the date of purchase if the parts are found to be faulty during normal use. If the parts are damaged by misuse spare parts can be bought from TAKT.

TAKT always strives to deliver spare parts to you in the fastest and most efficient way in order for your furniture to return to a functional condition.

Please contact TAKT for inquiries regarding spare parts.

Recycling & Disassembly

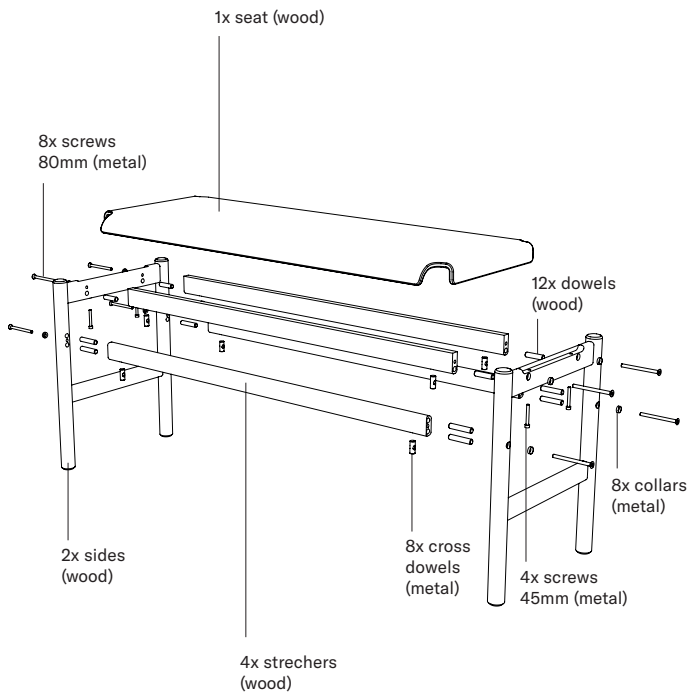
We hope that your TAKT product will serve you well for many, many years. If you at one point want to recycle it, please separate it into components for sorting.

Untighten screws by turning the Allen key counter clockwise to separate the different parts.

Metal parts can be delivered to a suitable recycling facility and be recycled.

Wooden parts can be delivered to a suitable recycling facility and be recycled or used for energy recovery through incineration.

info@taktcph.com



TAKTTM

taktcp.com