

# TAKT™



## T112 Arc Chair

Building Instructions

### Important Notice

Only use the listed tools.

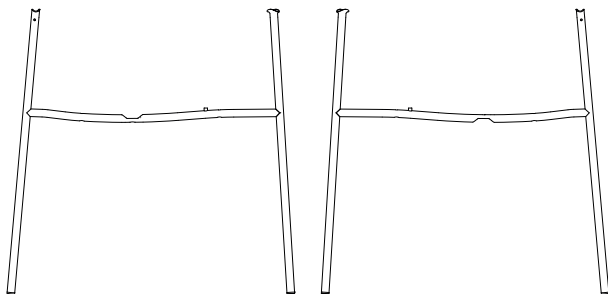
Do **not** use power tools.

Tighten in accordance with the building instructions.

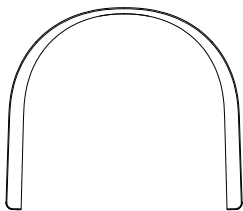
Avoid over-tightening.

There is no need for strong force.

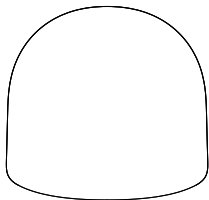
2x sides



1x backrest



1x seat



**A**

1x screw (18mm)



**B**

4x screws (25mm)



**C**

4x pinol screws (6mm)



**D**

4x felt gliders



**E**

4x plast gliders



1x Allen key (SW3)



1x Allen key (SW2)



Flat-head screwdriver  
(not provided)



## Product Information

‘T12 Arc Chair’ is a chair designed for indoor use.

The chair is tested according to EN-16139 - L1.

### Weight

5,2 kg

### Materials

Seat and back: Moulded plywood  
Water based lacquer  
Frame: Powder coated steel tubes  
Fittings: Plastic & steel

### Upholstered version

Upholstered seat: Ecolabelled leather or textile, plywood.

Foam: OekoTex class 1 certified

UK version: Foam contains flame retardants melamine and TCPP and has been tested according to “BS5852 part 2 ignition source 5 crib”.

OekoTex class 2 certified

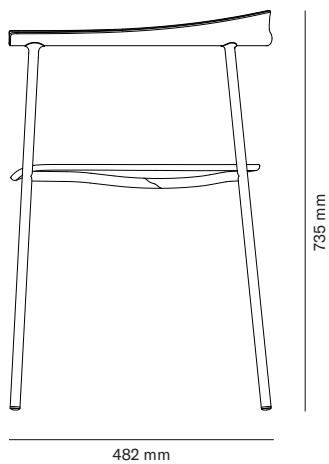
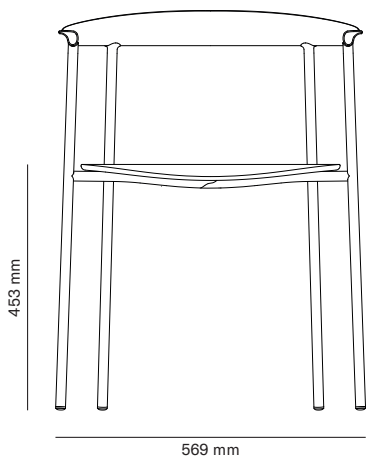
### Tests & Declarations

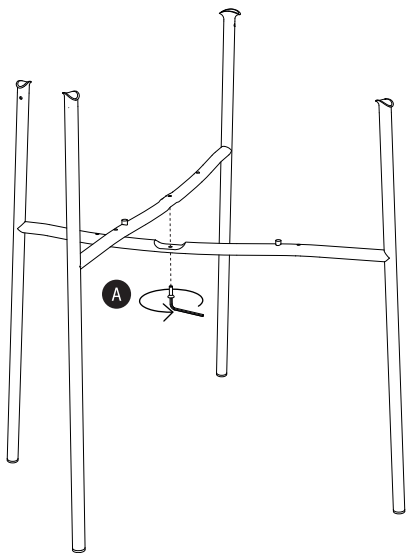
The chair has passed the furniture test EN-16139 - L1  
The chair is not treated with or containing disinfective biocides.



The mark of responsible forestry

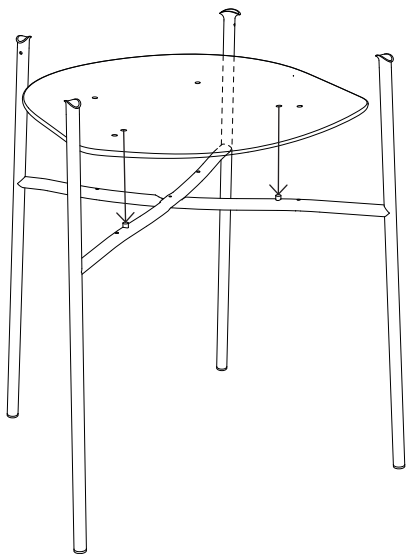
## Dimensions





6

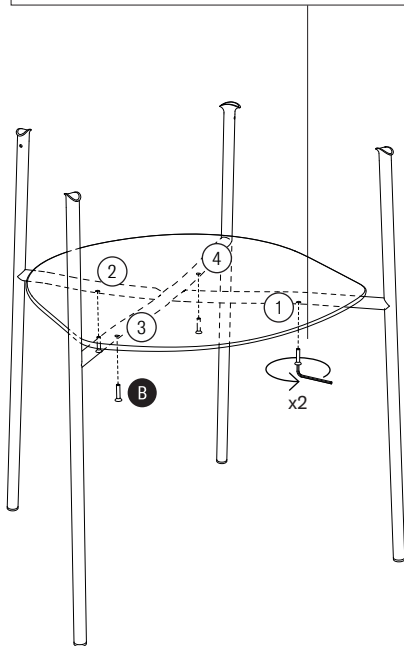




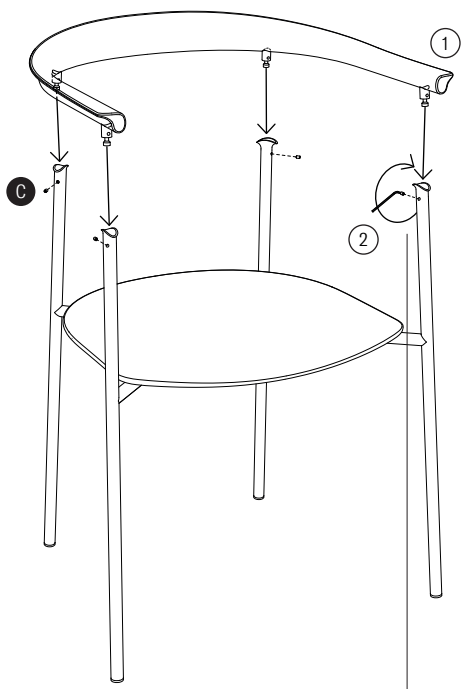
Place seat on frame - fit metal dowels in holes

**Important!**

Turn all screws in sequence 1 to 4 - ONLY two rounds.  
Make sure the screw easily grips the thread.

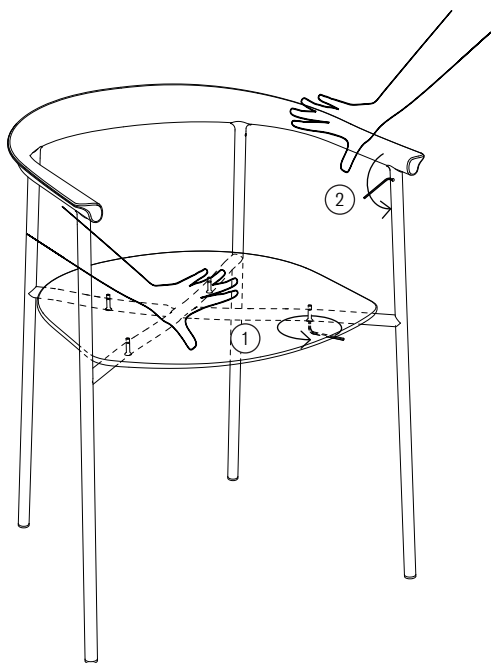






**Important!**

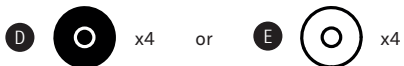
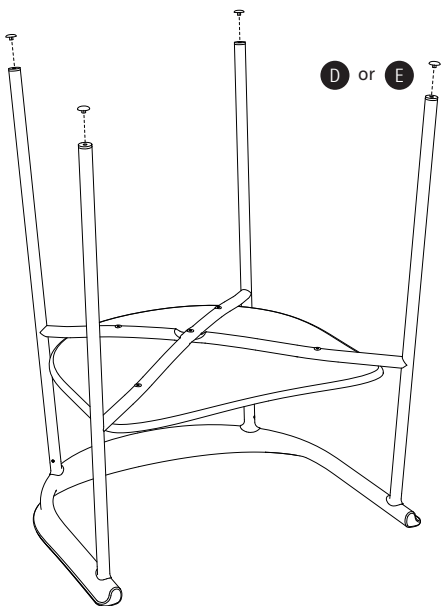
Fit top rail on frame - ONLY  
tighten pinol screws loosely.

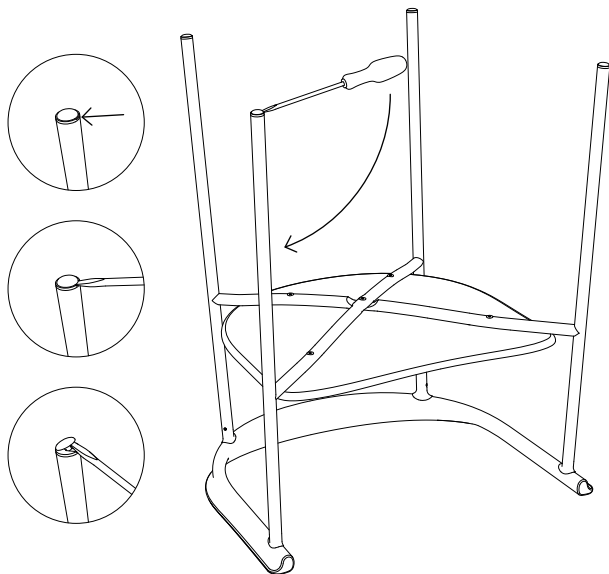


10

- ① Push down on seat and tighten screws
- ② Push down on top rail and tighten pinol screws

The chair must be fitted with either felt gliders for hard surfaces or plast glides for soft surfaces such as soft floors (carpets, etc.)







Enjoy your new chair

## **Additional Information**

TAKT provides an extended warranty of 5 years on 'T12 Arc Chair'.

### **Warranty**

TAKT provides an extended warranty of 5 years on 'T12 Arc Chair'. The warranty covers breakage of components and damage occurred because of deficient craftsmanship under normal use.

The warranty shall lapse if the product shows signs of inappropriate use or other physical damage. The warranty does not cover wear or damage to upholstery, gliders, wheels, surfaces and the like.

### **Maintenance**

TAKT maintenance guide is accessible on our website

[www.taktcph.com/  
product-care/](http://www.taktcph.com/product-care/)

### **Spare Parts**

TAKT offers spare parts for 'T12 Arc Chair'. Spare parts are available from TAKT without charge for a period of 5 years from the date of purchase if the parts are found to be faulty during normal use. If the parts are damaged by misuse spare parts can be bought from TAKT.

TAKT always strives to deliver spare parts to you in the fastest and most efficient way in order for your furniture to return to a functional condition.

Please contact TAKT for inquiries regarding spare parts.

### **Recycling & Disassembly**

We hope that your TAKT product will serve you well for many, many years.

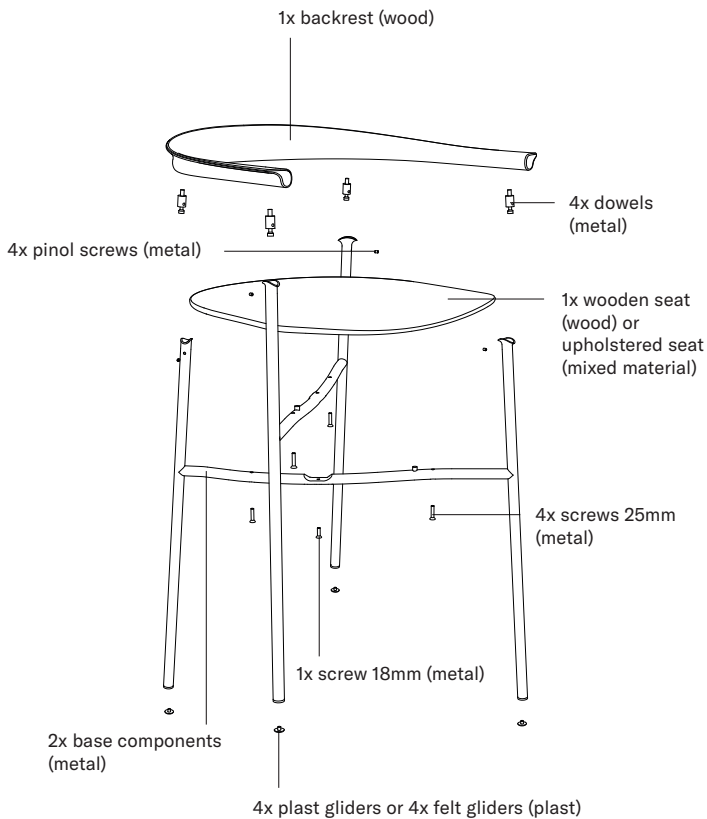
If you at one point want to recycle it, please separate it into components for sorting.

Untighten screws by turning the Allen key counter clockwise to separate the different parts.

Metal parts, wooden parts and plastic parts can be delivered to a suitable recycling facility and be recycled.

Mixed material parts can be delivered to a recycling facility for suitable disposal.

[info@taktcph.com](mailto:info@taktcph.com)



# **TAKT**<sup>TM</sup>

---

[taktcp.com](http://taktcp.com)