

TAKT™



T10 Cross Table 75 x 120

Building Instructions

Important Notice

Only use the listed tools.

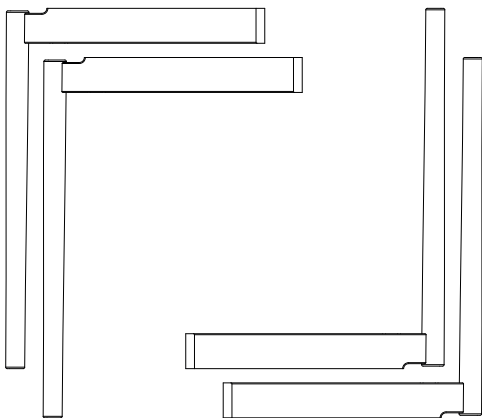
Do **not** use power tools.

Tighten in accordance with the building instructions.

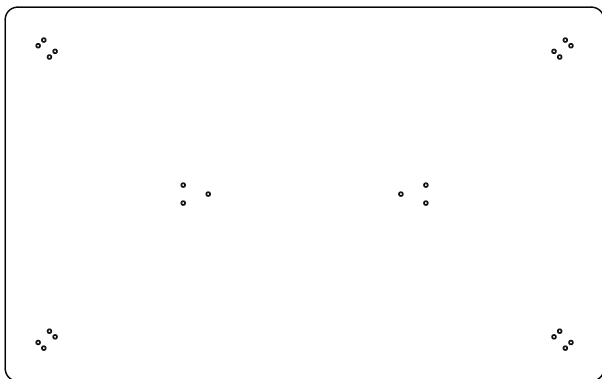
Avoid over-tightening.

There is no need for strong force.

4x table legs (solid wood)



1x tabletop (wood)



1x apron (solid wood)



A

22x screws (75mm)



1x Allen key



Product Information

'T10 Cross Table' is a table designed for indoor use.

The table is tested according to EN 15372 - L2.

Weight

16,8 kg

Materials

Tabletop: beech plywood with oak veneer or nano laminate

Frame: Solid wood

Surface treatment: Water based lacquer

Fittings: Steel

Tests & Declarations

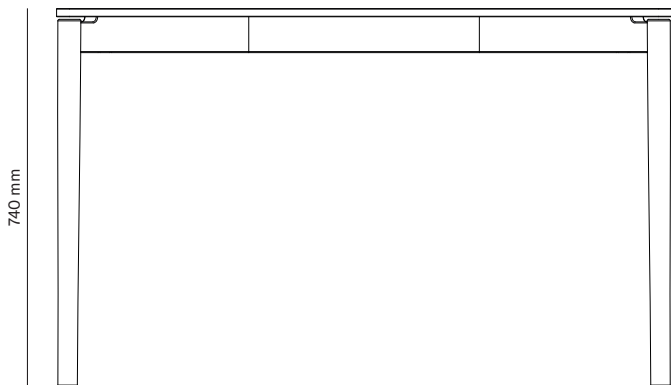
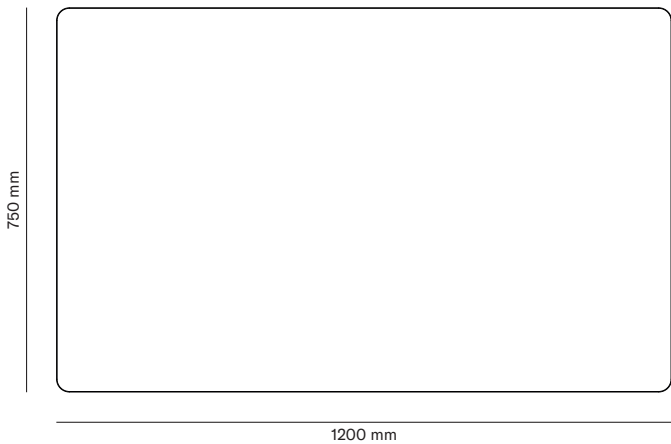
The table has passed the furniture test EN 15372 - L2

The table is not treated with or containing disinfective biocides.

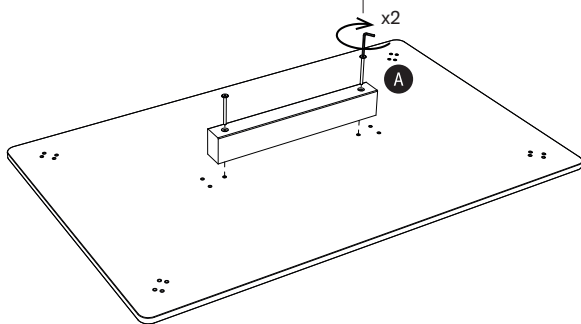


The mark of
responsible forestry

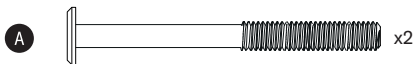
Dimensions



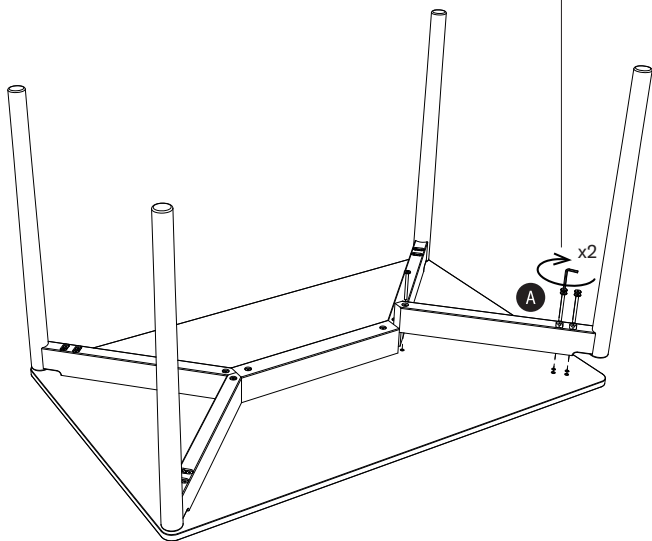
Lightly mount apron below the table by turning all screws two rounds.



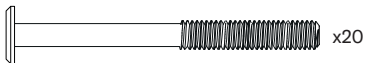
6



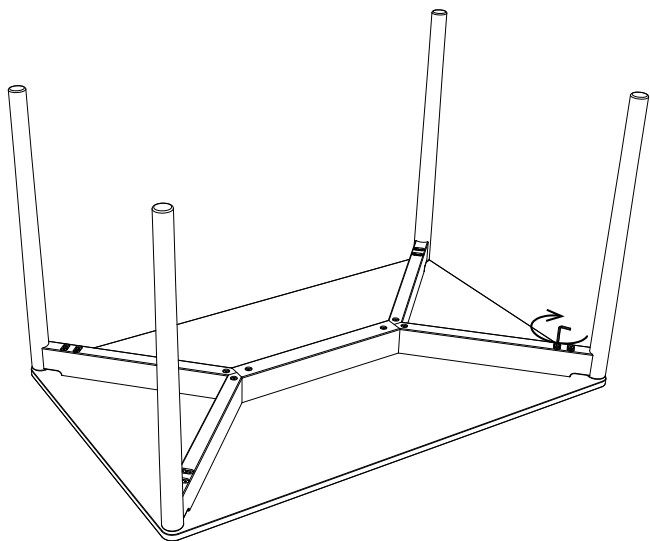
Lightly mount legs below the table by turning all screws two rounds.



A

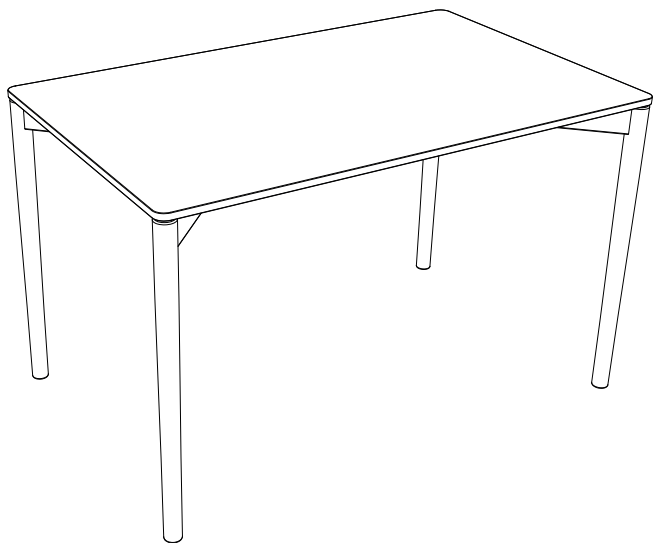
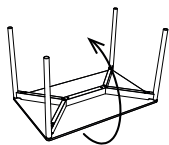


7



8

Once all parts have been mounted, tighten all screws.
Notice: Do **not** over-tighten.



Enjoy your new table.

Additional Information

TAKT provides an extended warranty of 5 years on 'T10 Cross Table'.

Warranty

TAKT provides an extended warranty of 5 years on 'T10 Cross Table'. The warranty covers breakage of components and damage occurred because of deficient craftsmanship under normal use.

The warranty shall lapse if the product shows signs of inappropriate use or other physical damage. The warranty does not cover wear or damage to upholstery, gliders, wheels, surfaces and the like.

Maintenance

TAKT maintenance guide is accessible on our web site

[www.taktcph.com/
product-care/](http://www.taktcph.com/product-care/)

Spare Parts

TAKT offers spare parts for 'T10 Cross Table'. Spare parts are available from TAKT without charge for a period of 5 years from the date of purchase if the parts are found to be faulty during normal use. If the parts are damaged by misuse spare parts can be bought from TAKT.

TAKT always strives to deliver spare parts to you in the fastest and most efficient way in order for your furniture to return to a functional condition.

Please contact TAKT for inquiries regarding spare parts.

Recycling & Disassembly

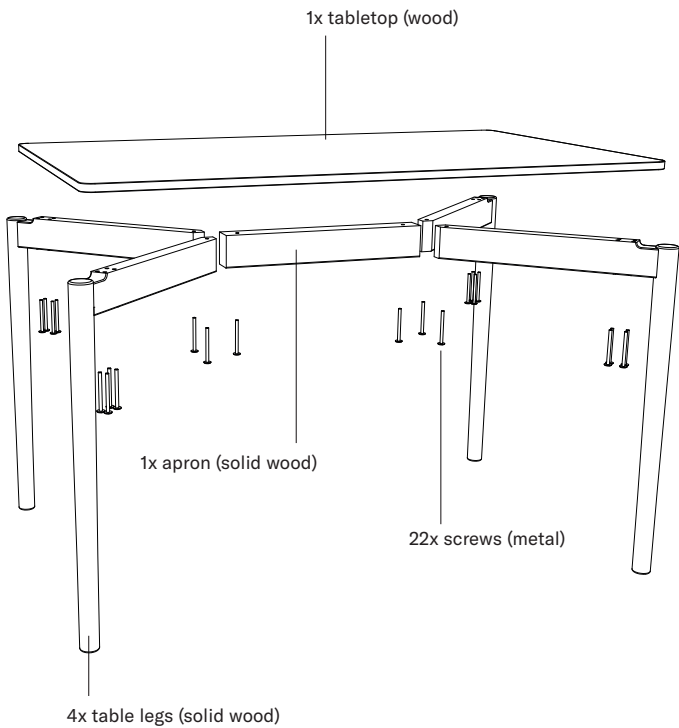
We hope that your TAKT product will serve you well for many, many years. If you at one point want to recycle it, please separate it into components for sorting.

Untighten screws by turning the Allen key counter clockwise to separate the different parts.

Metal parts can be delivered to a suitable recycling facility and be recycled.

Wooden parts can be delivered to a suitable recycling facility and be recycled or used for energy recovery through incineration.

info@taktcph.com



TAKT™

taktcp.com