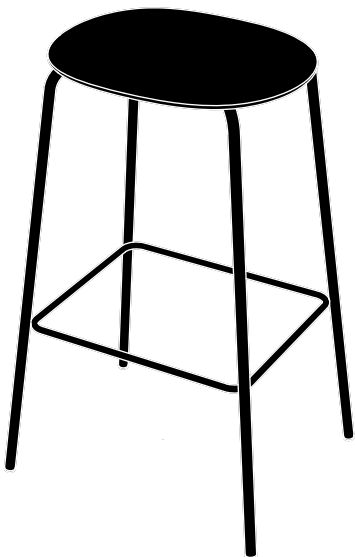


TAKT™



T15 Studio Bar Stool

Building Instructions

Important Notice

Only use the listed tools.

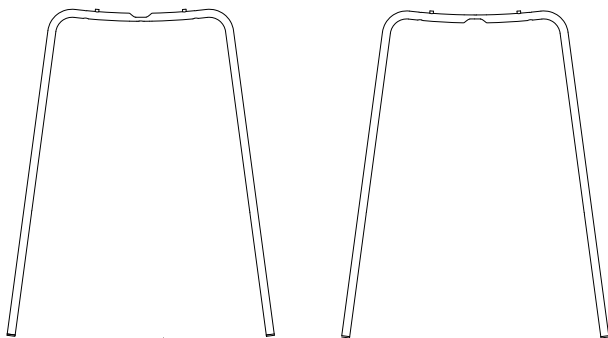
Do **not** use power tools.

Tighten in accordance with the building instructions.

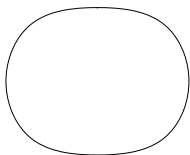
Avoid over-tightening.

There is no need for strong force.

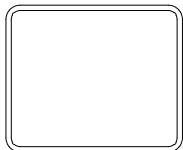
2x base frames



1x seat



1x footrest



A

1x screw (18mm)



B

4x screws (25mm)



C

4x screws (16mm)



D

4x felt gliders



E

4x plast gliders



1x Allen key (SW3)



Flat-head screwdriver
(not provided)



Product Information

'T15 Studio Bar Stool' is a bar stool designed for indoor use. The stool is tested according to EN-16139 - L1.

Weight

Low version: 4,8 kg

High version: 5,2 kg

Materials

Seat: Moulded plywood

Frame: Powder coated steel tubes

Surface treatment: Water based laquer or oil

Fittings: Plastic & steel

Upholstered version

Upholstered seat: Ecolabelled leather or textile, plywood.

Foam: OekoTex class 1 certified

UK version: Foam contains flame retardants melamine and TCPP and has been tested according to "BS5852 part 2 ignition source 5 crib".

OekoTex class 2 certified

Tests & Declarations

The stool has passed the furniture test EN-16139 - L1

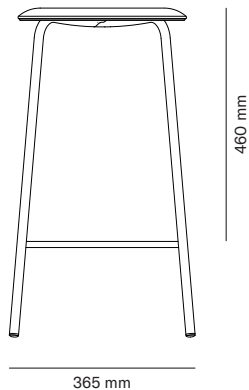
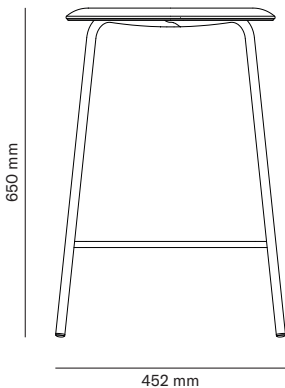
The stool is not treated with or containing disinfective biocides.



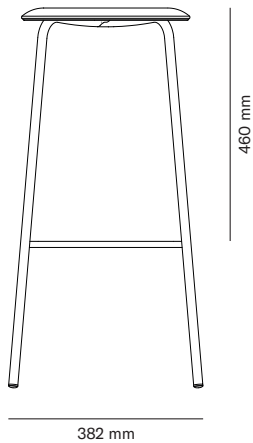
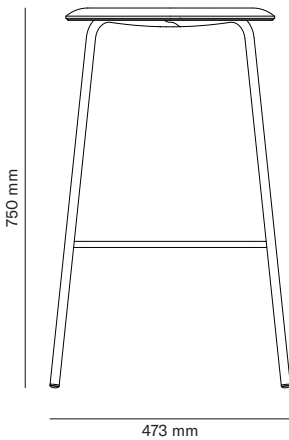
The mark of
responsible forestry

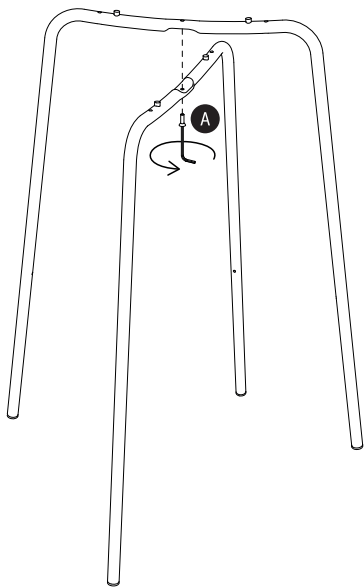
Dimensions

Low version



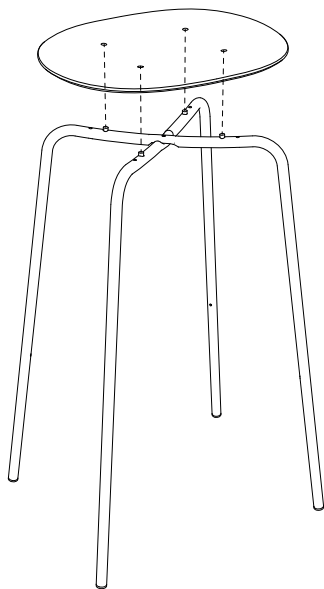
High version



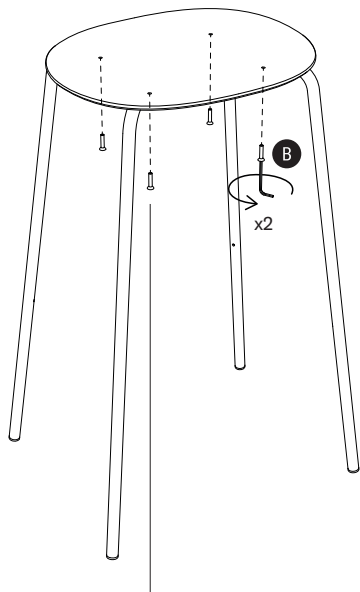


6





Place seat on frame - fit metal dowels in holes

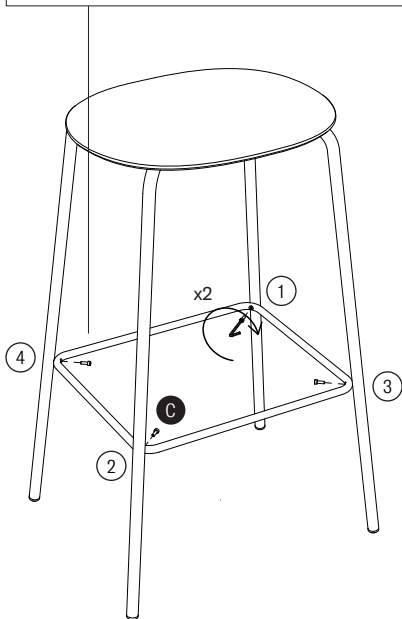


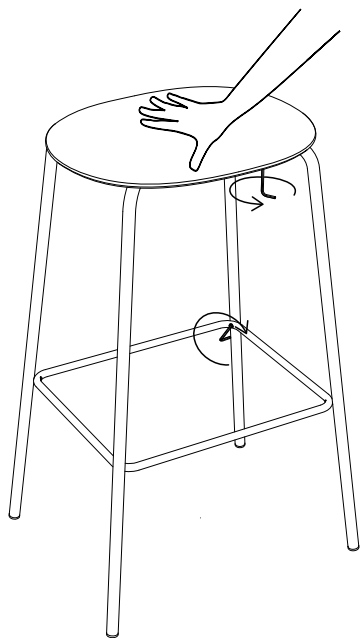
Important!

Turn all screws ONLY two rounds.
Make sure the screw easily grips the thread.

Important!

Turn all screws in sequence 1 to 4 - ONLY two rounds.
Make sure the screw easily grips the thread.

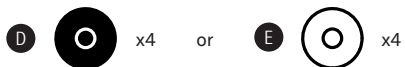
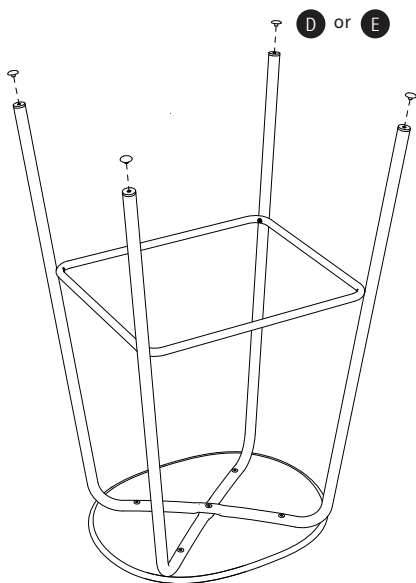


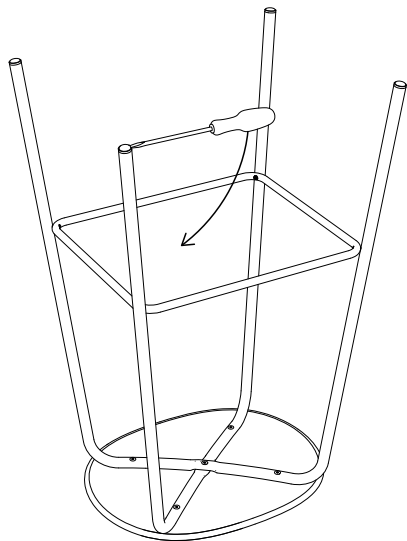
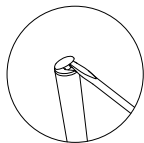
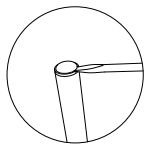
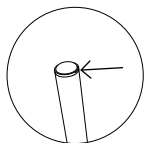


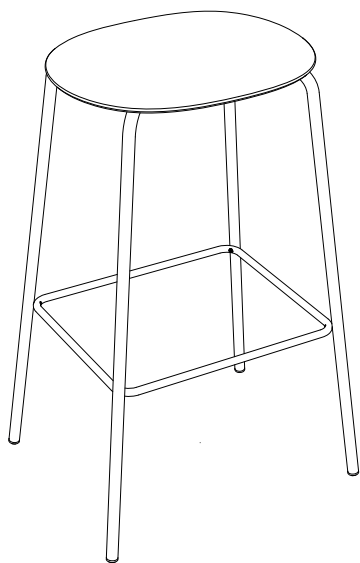
10

Push down on seat and tighten all screws

The stool must be fitted with either felt gliders for hard surfaces or plast glides for soft surfaces such as soft floors (carpets, etc.)







Enjoy your new bar stool

Additional Information

TAKT provides an extended warranty of 5 years on 'T15 Studio Bar Stool'.

Warranty

TAKT provides an extended warranty of 5 years on 'T15 Studio Bar Stool'. The warranty covers breakage of components and damage occurred because of deficient craftsmanship under normal use.

The warranty shall lapse if the product shows signs of inappropriate use or other physical damage. The warranty does not cover wear or damage to upholstery, gliders, wheels, surfaces and the like.

Maintenance

TAKT maintenance guide is accessible on our website

[www.taktcp.com/
product-care/](http://www.taktcp.com/product-care/)

Spare Parts

TAKT offers spare parts for 'T15 Studio Bar Stool'. Spare parts are available from TAKT without charge for a period of 5 years from the date of purchase if the parts are found to be faulty during normal use. If the parts are damaged by misuse spare parts can be bought from TAKT.

TAKT always strives to deliver spare parts to you in the fastest and most efficient way in order for your furniture to return to a functional condition.

Please contact TAKT for inquiries regarding spare parts.

Recycling & Disassembly

We hope that your TAKT product will serve you well for many, many years.

If you at one point want to recycle it, please separate it into components for sorting.

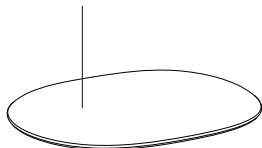
Untighten screws by turning the Allen key counter clockwise to separate the different parts.

Metal parts, wooden parts and plastic parts can be delivered to a suitable recycling facility and be recycled.

Mixed material parts can be delivered to a recycling facility for suitable disposal.

info@taktcp.com

1x wooden seat (wood)
or upholstered seat (mixed material)



4x screws 25mm
(metal)

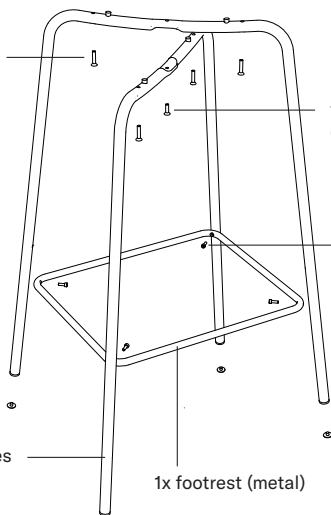
1x screw 18mm
(metal)

4x screws 16mm
(metal)

2x base frames
(metal)

1x footrest (metal)

4x plast gliders or 4x felt gliders (plast)



TAKT™

taktcp.com