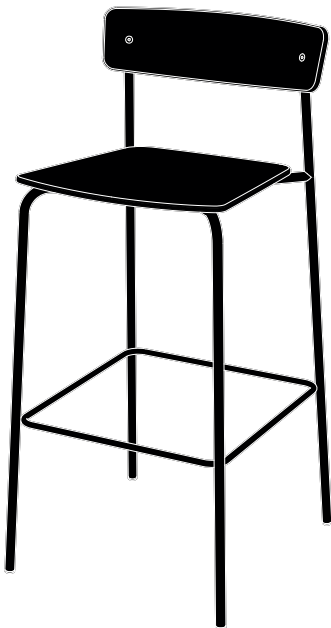


TAKT™



T16 Cross Bar Chair Tube

Building Instructions

Important Notice

Only use the listed tools.

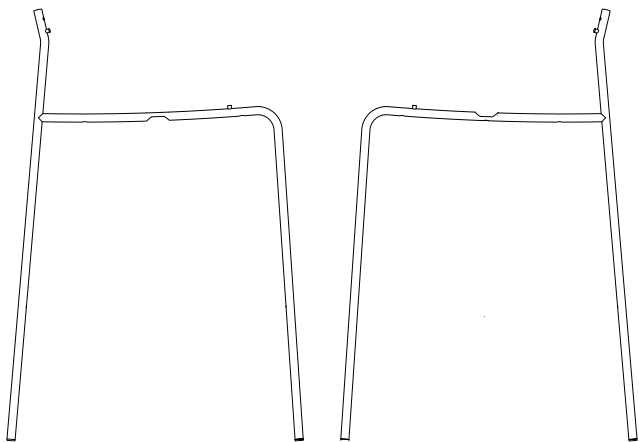
Do **not** use power tools.

Tighten in accordance with the building instructions.

Avoid over-tightening.

There is no need for strong force.

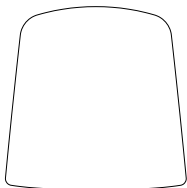
2x base frames



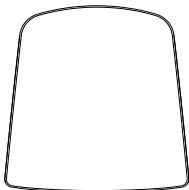
1x backrest



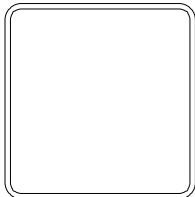
1x seat pad (optional)



1x seat



1x footrest



A 1x screw (18mm)



B 4x screws (25 or 35mm)



C 2x screws (20mm)



D 2x metal collars



E 4x screws (16mm)



F 4x felt gliders



G 4x plast gliders



a 1x small Allen key (SW3)



b 1x medium Allen key (SW4)



Flat-head screwdriver
(not provided)



Product Information

‘T16 Cross Bar Chair Tube’ is a bar chair designed for indoor use. The chair is tested according to EN-16139 - L1.

Weight

Low version:

6,0 kg

6,8 kg with seat pad

High version:

6,4 kg

7,2 kg with seat pad

Materials

Seat and back: Moulded plywood (oak and beech)

Frame and footrest: Powder coated steel

Surface treatment: Water based lacquer or oil

Fittings: Plastic & steel

Optional

Seat pad: Ecolabelled leather or textile, plywood.

Foam: OekoTex class 1 certified

UK version: Foam contains flame retardants melamine and TCPP and has been tested according to “BS5852 part 2 ignition source 5 crib”.

OekoTex class 2 certified

Tests & Declarations

The chair has passed the furniture test EN-16139 - L1

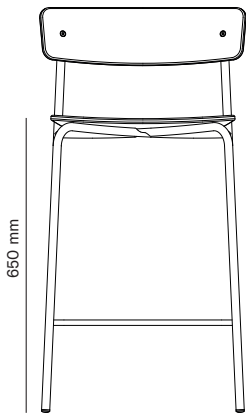
The chair is not treated with or containing disinfective biocides.



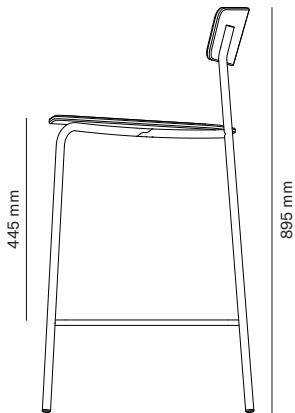
The mark of responsible forestry

Dimensions

Low version

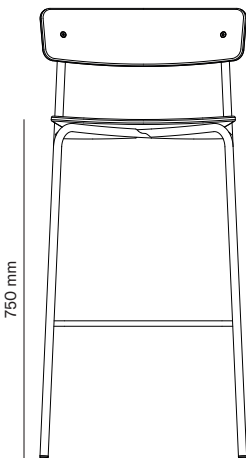


447 mm

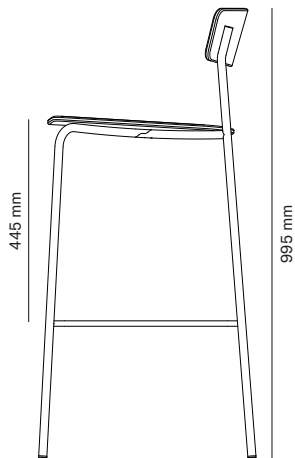


466 mm

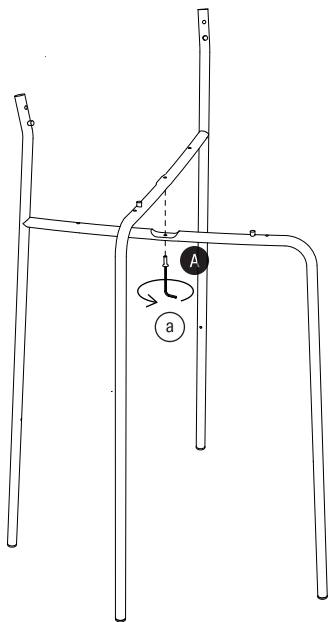
High version



455 mm



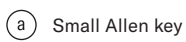
479 mm



6



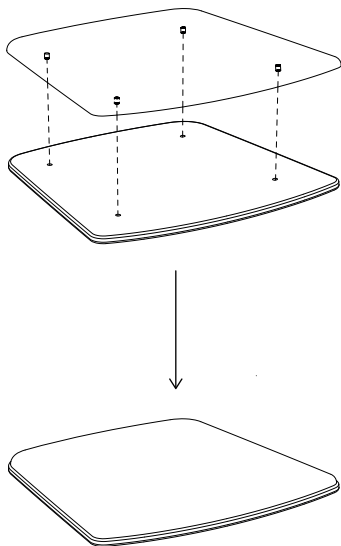
x1



Small Allen key

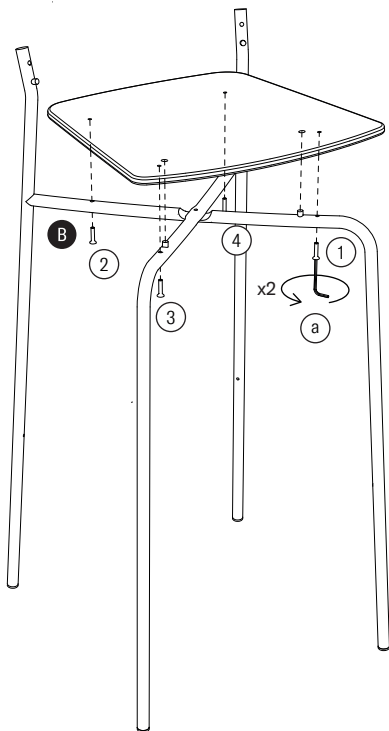
Optional

If you are mounting an upholstered seat pad - place it on the wooden seat as showed here before mounting it on the metal frame.



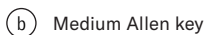
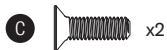
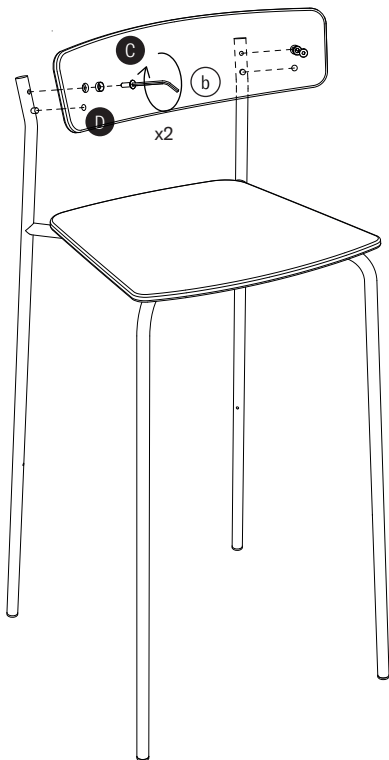
Important!

Turn all screws in sequence 1 to 4 - ONLY two rounds. Make sure the screw easily grips the thread.



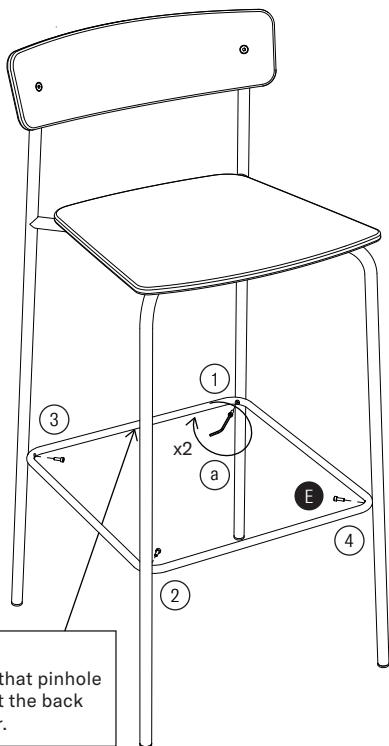
Important!

Turn all screws **ONLY** two rounds. Make sure the screw easily grips the thread.



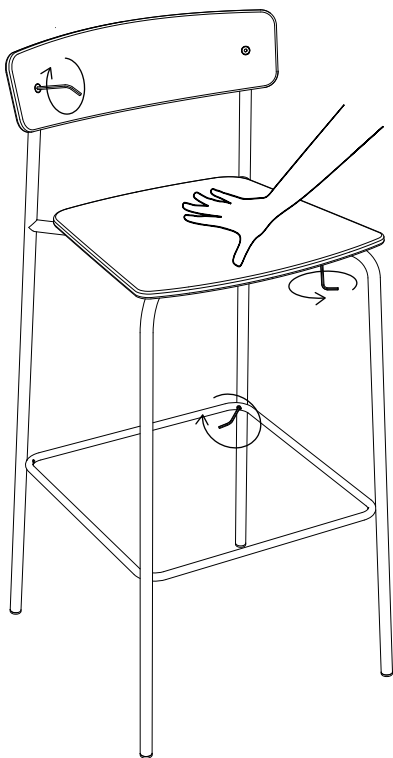
Important!

Turn all screws in sequence 1 to 4 - ONLY two rounds. Make sure the screw easily grips the thread.



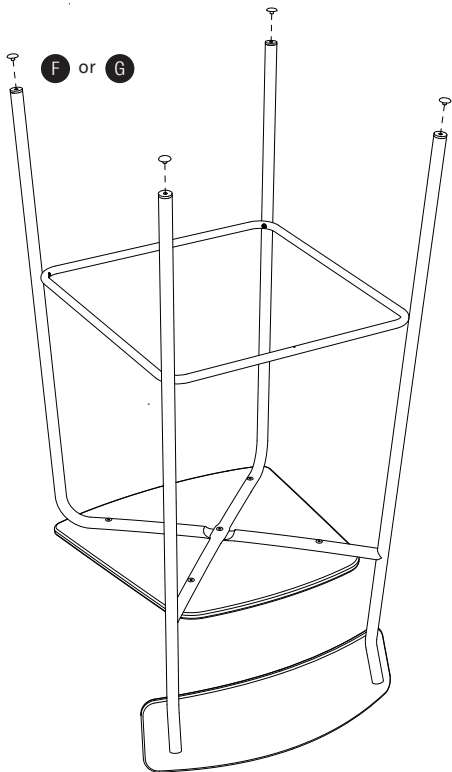
Note!

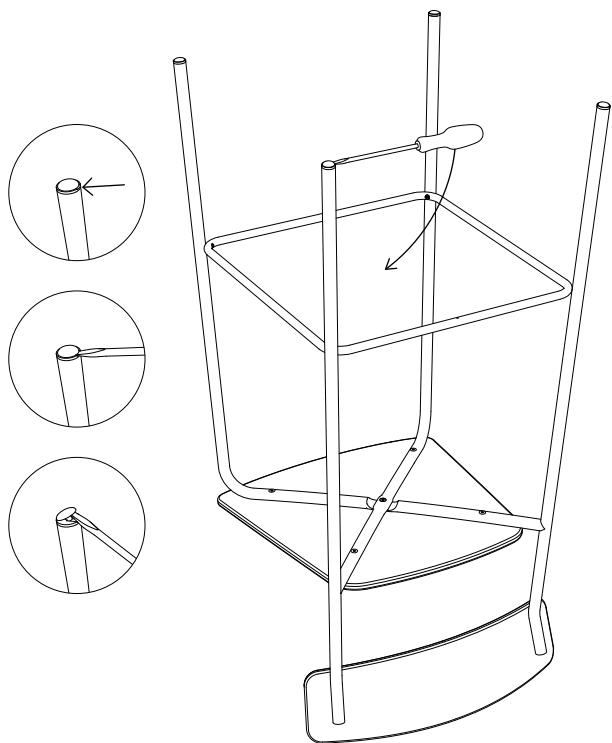
Turn footrest so that pinhole mark is placed at the back towards the floor.



Push down on seat and tighten all screws

The stool must be fitted with either felt gliders for hard surfaces or plast glides for soft surfaces (carpets, etc.)





You can later exchange the glider by placing screwdriver
in groove and push down

Additional Information

TAKT provides an extended warranty of 5 years on 'T16 Cross Bar Chair Tube'.

Warranty

TAKT provides an extended warranty of 5 years on 'T16 Cross Bar Chair Tube'. The warranty covers breakage of components and damage occurred because of deficient craftsmanship under normal use.

The warranty shall lapse if the product shows signs of inappropriate use or other physical damage. The warranty does not cover wear or damage to upholstery, gliders, wheels, surfaces and the like.

Maintenance

TAKT maintenance guide is accessible on our website

[www.taktcp.com/
product-care/](http://www.taktcp.com/product-care/)

Spare Parts

TAKT offers spare parts for 'T16 Cross Bar Chair Tube'. Spare parts are available from TAKT without charge for a period of 5 years from the date of purchase if the parts are found to be faulty during normal use. If the parts are damaged by misuse spare parts can be bought from TAKT.

TAKT always strives to deliver spare parts to you in the fastest and most efficient way in order for your furniture to return to a functional condition.

Please contact TAKT for inquiries regarding spare parts.

Recycling & Disassembly

We hope that your TAKT product will serve you well for many, many years.

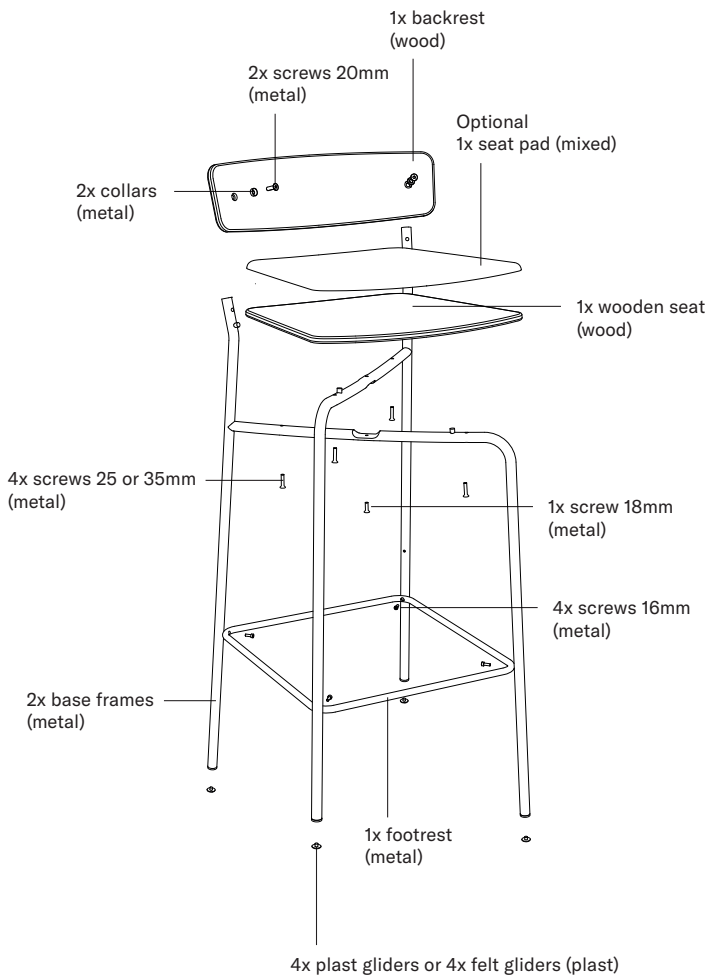
If you at one point want to recycle it, please separate it into components for sorting.

Untighten screws by turning the Allen key counter clockwise to separate the different parts.

Metal parts, wooden parts and plastic parts can be delivered to a suitable recycling facility and be recycled.

Mixed material parts can be delivered to a recycling facility for suitable disposal.

info@taktcp.com



TAKTTM

taktcp.com