

**TAKT™**



**T18 Arc  
Dining Table**

**Building Instructions**

**Important Notice**

Only use the listed tools.

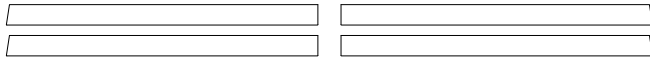
Do **not** use power tools.

Tighten in accordance with the building instructions.

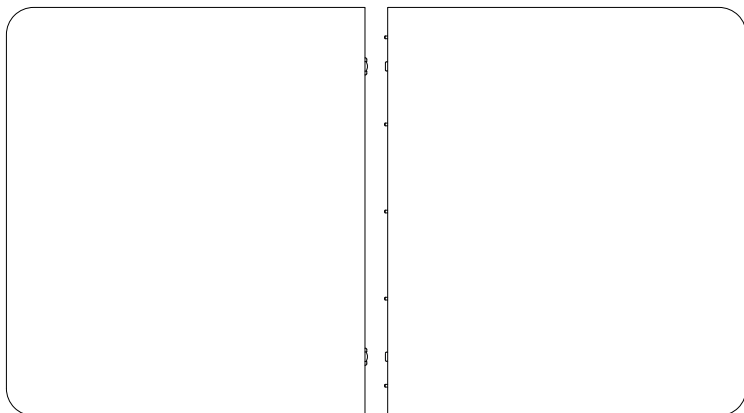
Avoid over-tightening.

There is no need for strong force.

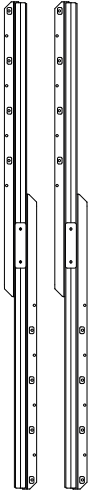
4x aprons



2x tabletops



2x table slides



A 16x screws (10mm)  
.....

B 8x wood dowels  
□□□□□□□□

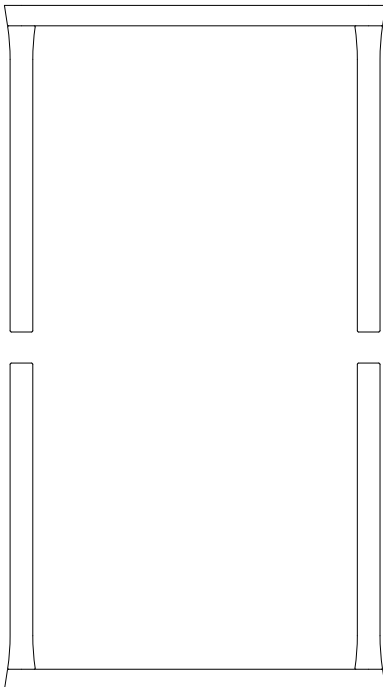
C 28x screws (50mm)  
TTTTTTTTTTTTTTTTTTTTTTTTTTTTTTTTTTTT

D 8x connecting fitting house  
□□□□□□□□

E 4x double bolt  
|||||

F 8x pinol screws (12mm)  
□□□□□□□□

2x leg frames



a 1x small Allen key (SW2,5)  
└─┘

b 1x medium Allen key (SW4)  
└─┘

## Product Information

‘T18 Arc Dining Table’  
is a table designed for  
indoor use. The table is  
tested according  
to EN 15372 - L2.

### Weight

39,2 kg

### Materials

Tabletop: mdf with oak veneer or nano laminate

Frame: Solid wood

Surface treatment: Water based lacquer

Fittings: Steel

### Tests & Declarations

The table has passed the furniture test EN 15372 - L2

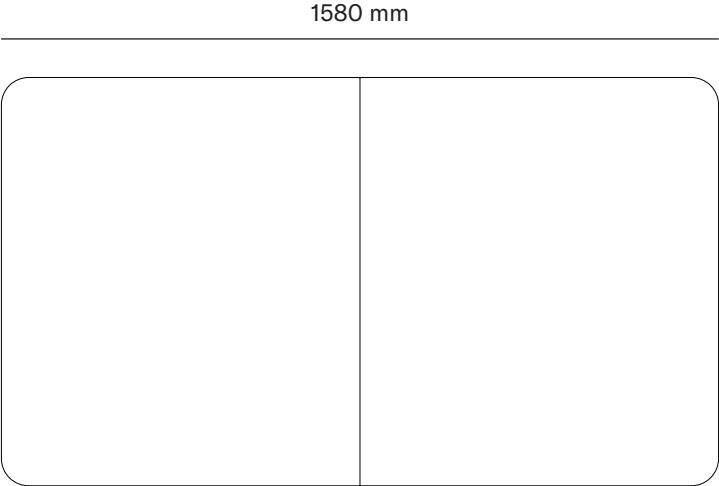
The table is not treated with or containing disinfective biocides.



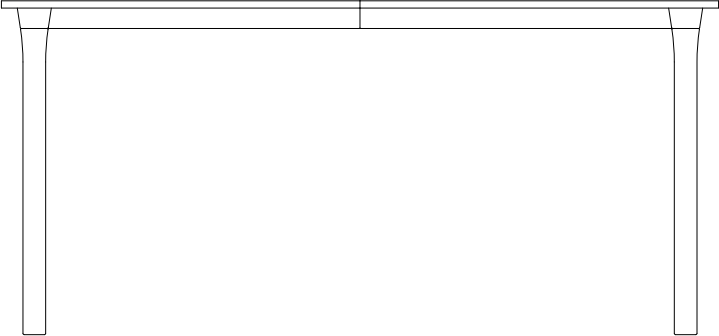
FSC® N002932

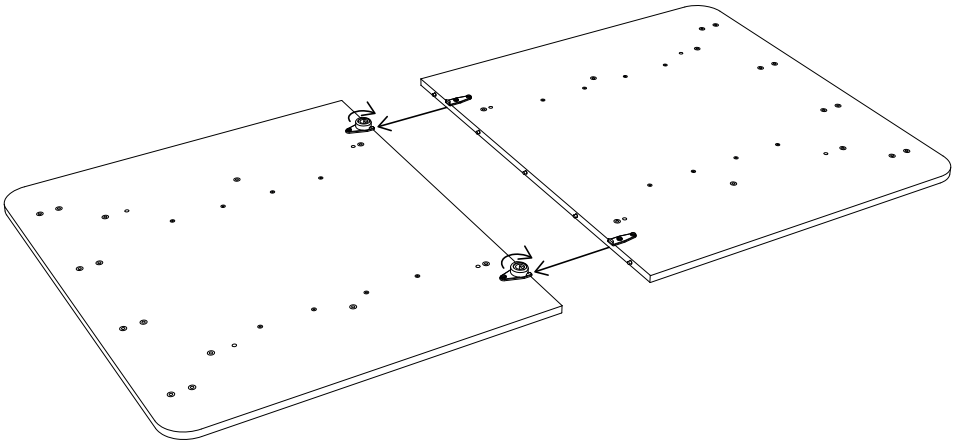
The mark of  
responsible forestry

**Dimensions**



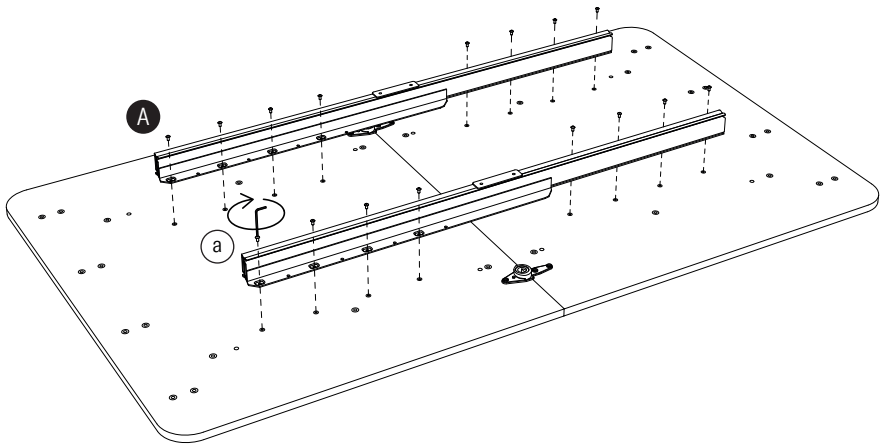
900 mm






6

Place the tabletops on a blanket. Slide the tabletops together and turn the table locks.

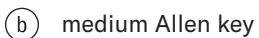
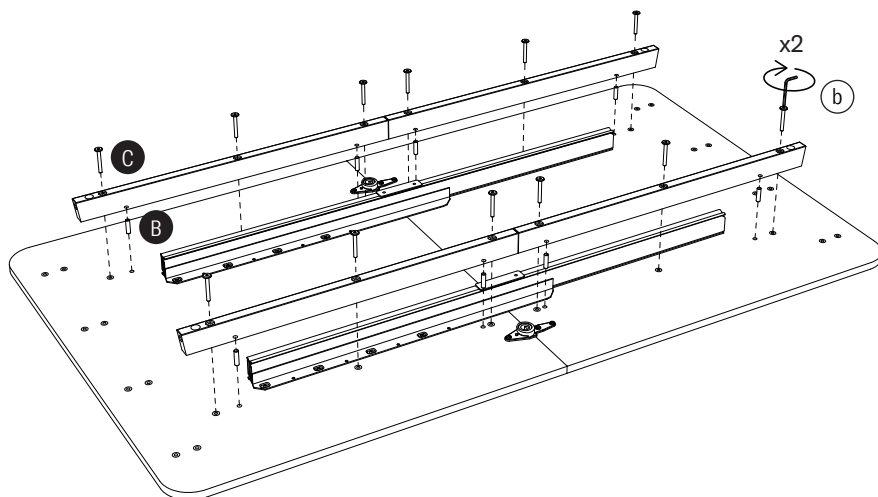


**A**  x16

**a** small Allen key

**Important!**

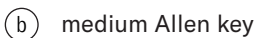
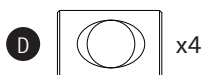
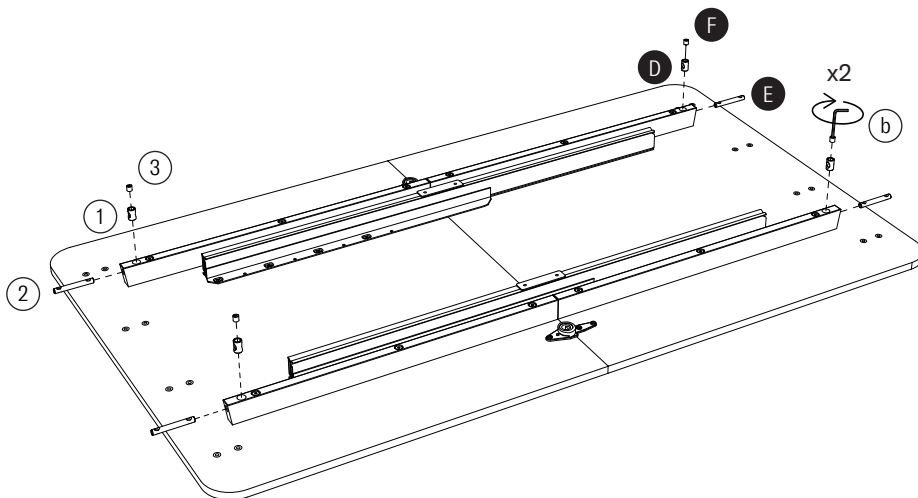
Turn all screws **ONLY** two rounds. Make sure the screw easily grips the thread.





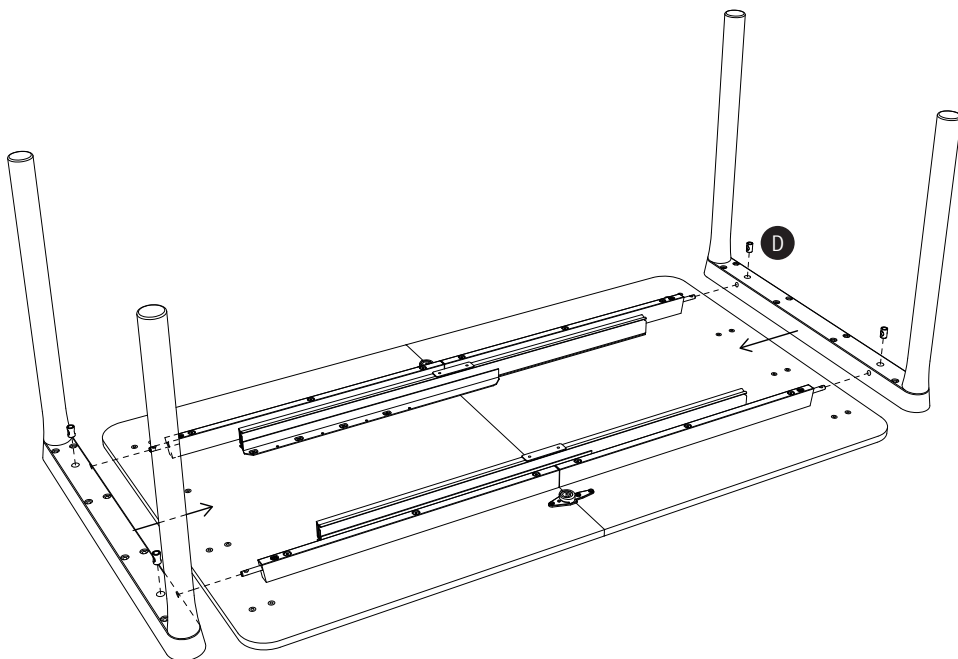
**Important!**

Mount the fittings in the sequence 1 to 3. Make sure that the threads in the connecting fitting house **D** are positioned outwards. Only tighten the pinol screws **F** loosely.

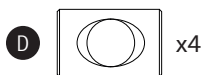


**Important!**

Make sure that the threads in the connecting fitting house **D** are positioned outwards, then place them in the holes and slide the leg frames into the double bolts.

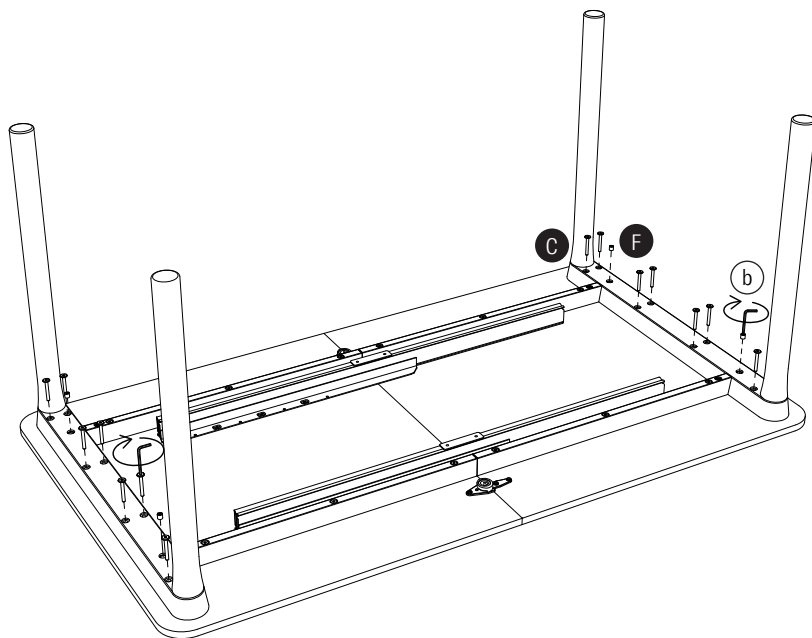


10

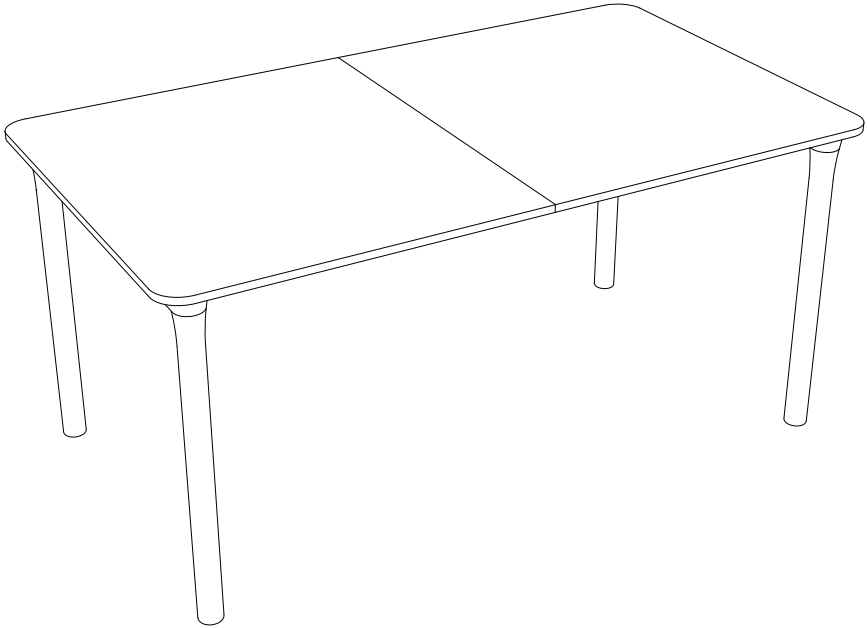


**Important!**

Start by mounting all screws loosely. Make sure the screw easily grips the thread. Then tighten all screws.



(b) medium Allen key



Enjoy your new  
dining table.

## **Additional Information**

TAKT provides an extended warranty of 5 years on 'T18 Arc Dining Table'.

### **Warranty**

TAKT provides an extended warranty of 5 years on 'T18 Arc Dining Table'. The warranty covers breakage of components and damage occurred because of deficient craftsmanship under normal use.

The warranty shall lapse if the product shows signs of inappropriate use or other physical damage. The warranty does not cover wear or damage to upholstery, gliders, wheels, surfaces and the like.

### **Maintenance**

TAKT maintenance guide is accessible on our website

[www.taktcph.com/  
product-care/](http://www.taktcph.com/product-care/)

### **Spare Parts**

TAKT offers spare parts for 'T18 Arc Dining Table'. Spare parts are available from TAKT without charge for a period of 5 years from the date of purchase if the parts are found to be faulty during normal use. If the parts are damaged by misuse spare parts can be bought from TAKT.

TAKT always strives to deliver spare parts to you in the fastest and most efficient way in order for your furniture to return to a functional condition.

Please contact TAKT for inquiries regarding spare parts.

### **Recycling & Disassembly**

We hope that your TAKT product will serve you well for many, many years.

If you at one point want to recycle it, please separate it into components for sorting.

Untighten screws by turning the Allen key counter clockwise to separate the different parts.

Metal parts and plastic parts can be delivered to a suitable recycling facility and be recycled.

Wooden parts can be delivered to a suitable recycling facility and be recycled or used for energy recovery through incineration.

[info@taktcph.com](mailto:info@taktcph.com)

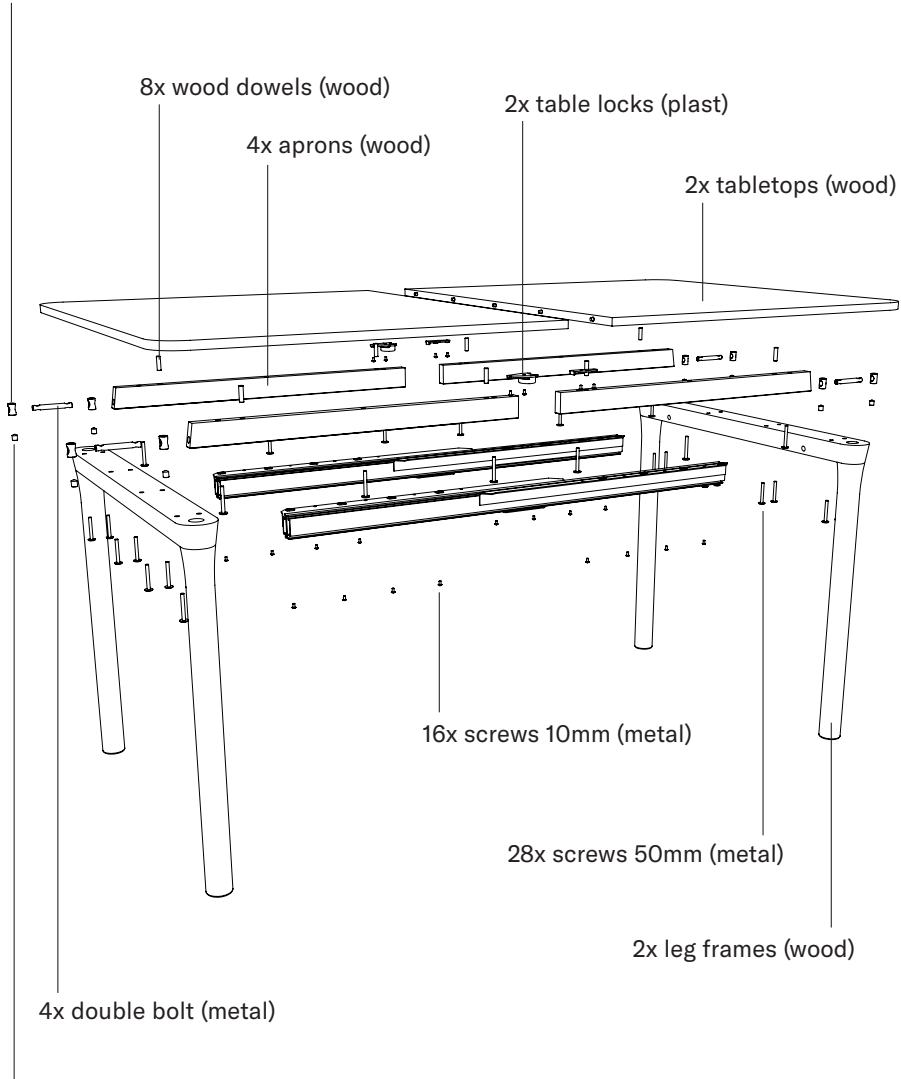
8x connecting fitting house (metal)

8x wood dowels (wood)

2x table locks (plast)

4x aprons (wood)

2x tabletops (wood)



16x screws 10mm (metal)

28x screws 50mm (metal)

2x leg frames (wood)

4x double bolt (metal)

8x pinol screws 12mm (metal)

# **TAKT**<sup>TM</sup>

---

[taktph.com](http://taktph.com)