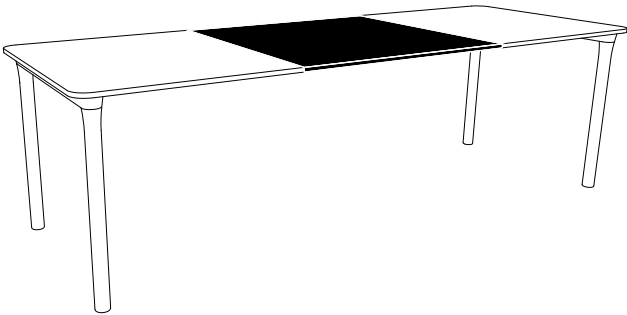


TAKT™



T18 Arc Dining Table

Extension Leaf

Building Instructions

Important Notice

Only use the listed tools.

Do **not** use power tools.

Tighten in accordance with the building instructions.

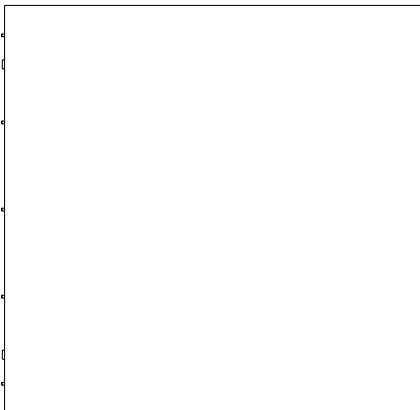
Avoid over-tightening.

There is no need for strong force.

2x aprons



1x extension leaf



A

4x wood dowels



B

6x screws (50mm)



1x Allen key (SW4)



2x aprons



1x extension leaf



Product Information

The extension leaf is used with 'T18 Arc Dining Table'. The table is designed for indoor use and is tested according to EN 15372 - L2.

Weight

narrow version:
6,6 kg

wide version:
11,4 kg

Materials

Tabletop: Mdf with oak veneer or nano laminate
Aprons: Solid wood
Surface treatment: Water based lacquer
Fittings: Steel

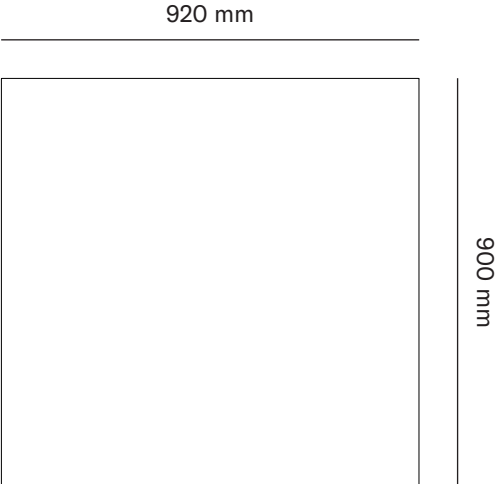
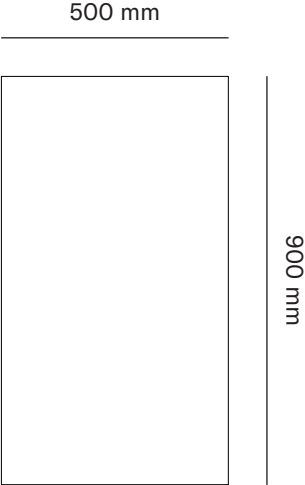
Tests & Declarations

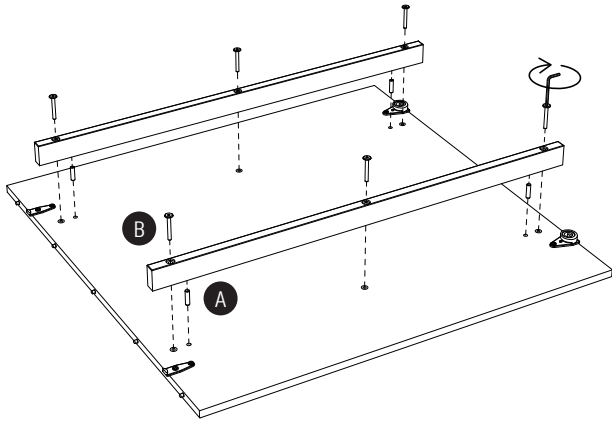
The table has passed the furniture test EN 15372 - L2
The table is not treated with or containing disinfective biocides.



FSC® N002932
The mark of
responsible forestry

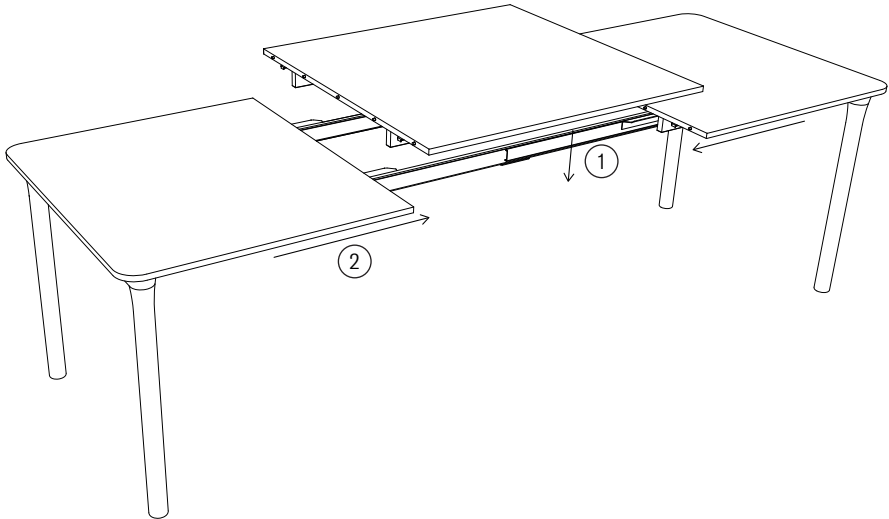
Dimensions



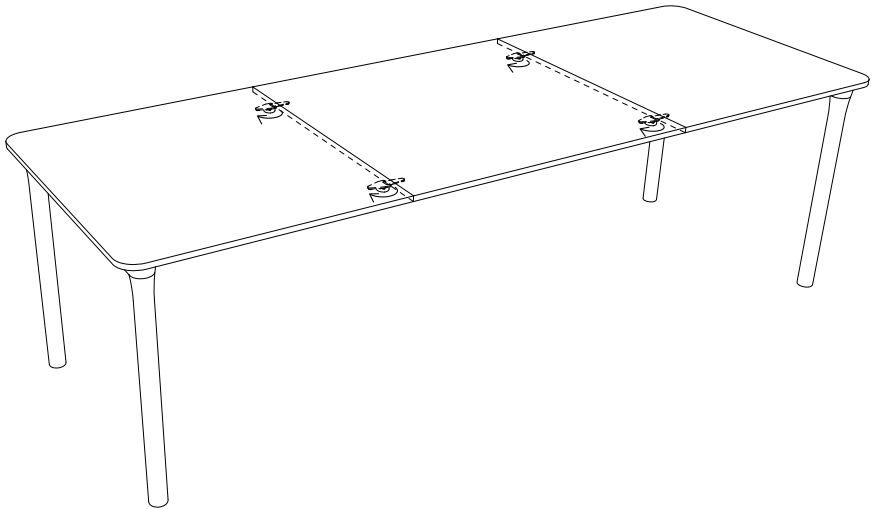


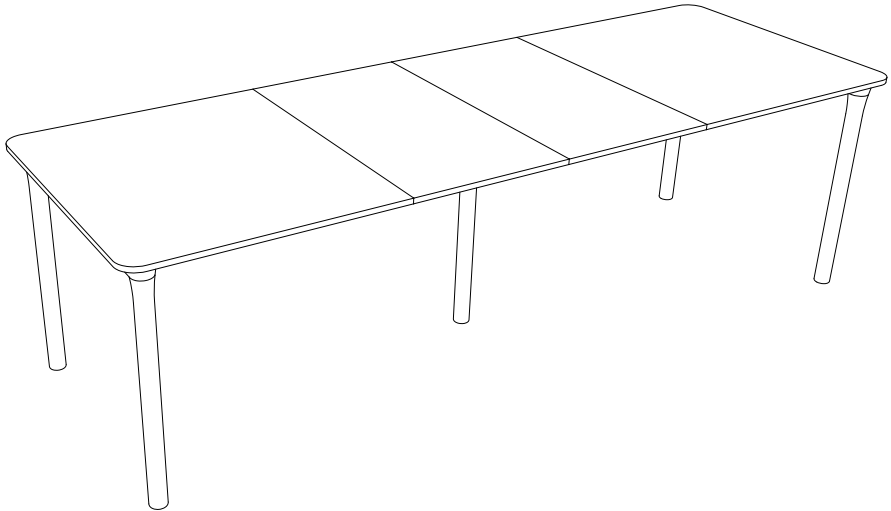
6





Place the extension leaf on the table slides. Push the table ends together. Make sure the pin and pin holes align.





If the table is used with two 50 cm wide extension leaves, TAKT recommended to mount the table with a support leg (sold separately).

Additional Information

TAKT provides an extended warranty of 5 years on 'T18 Arc Dining Table'.

Warranty

TAKT provides an extended warranty of 5 years on 'T18 Arc Dining Table'. The warranty covers breakage of components and damage occurred because of deficient craftsmanship under normal use.

The warranty shall lapse if the product shows signs of inappropriate use or other physical damage. The warranty does not cover wear or damage to upholstery, gliders, wheels, surfaces and the like.

Maintenance

TAKT maintenance guide is accessible on our website

[www.taktcph.com/
product-care/](http://www.taktcph.com/product-care/)

Spare Parts

TAKT offers spare parts for 'T18 Arc Dining Table'. Spare parts are available from TAKT without charge for a period of 5 years from the date of purchase if the parts are found to be faulty during normal use. If the parts are damaged by misuse spare parts can be bought from TAKT.

TAKT always strives to deliver spare parts to you in the fastest and most efficient way in order for your furniture to return to a functional condition.

Please contact TAKT for inquiries regarding spare parts.

Recycling & Disassembly

We hope that your TAKT product will serve you well for many, many years.

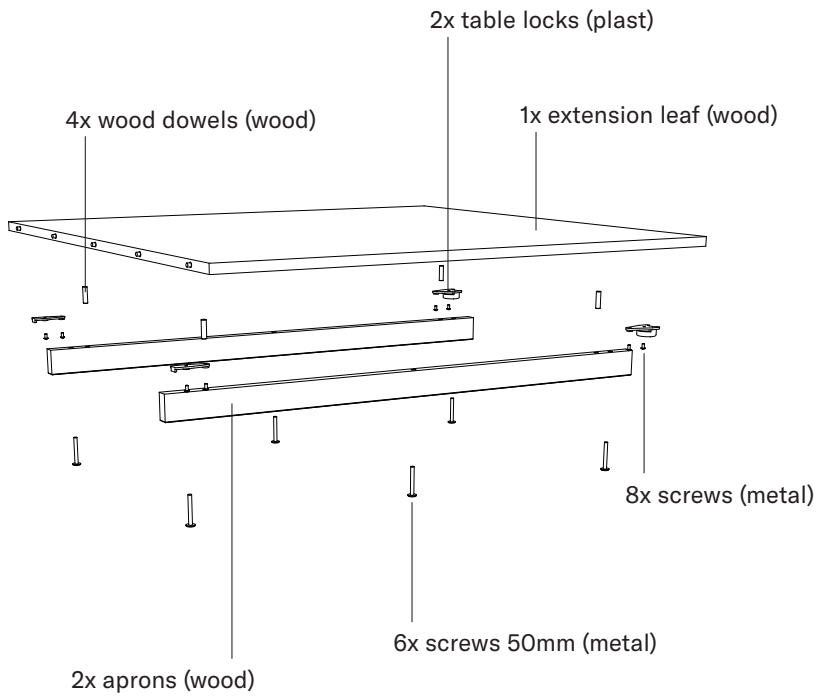
If you at one point want to recycle it, please separate it into components for sorting.

Untighten screws by turning the Allen key counter clockwise to separate the different parts.

Metal parts can be delivered to a suitable recycling facility and be recycled.

Wooden parts can be delivered to a suitable recycling facility and be recycled or used for energy recovery through incineration.

info@taktcph.com



TAKTTM

taktph.com