

# TAKT™



## T222 Turn Chair

**Building Instructions**

### Important Notice

Only use the listed tools.

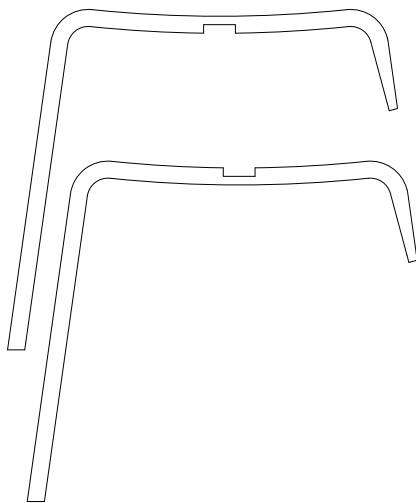
Do **not** use power tools.

Tighten in accordance with the building instructions.

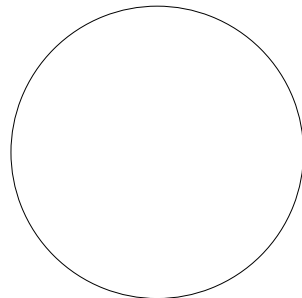
Avoid over-tightening.

There is no need for strong force.

2x legs



1x seat



A 8x screws (25mm)  
TTTTTTTTT

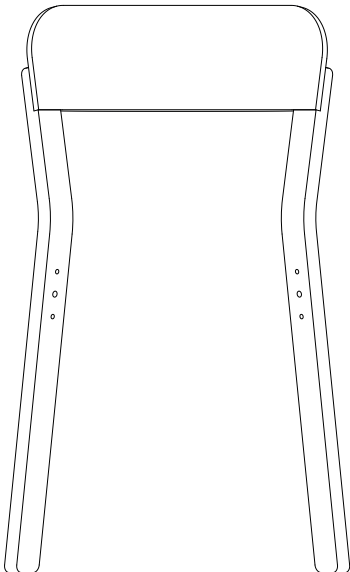
B 2x wood dowels  
||

C 4x felt gliders  
□□□□

D 4x stacking spacers  
○○○○

1x Allen key (SW4)  
└─┘

1x back frame



## Product Information

‘T22 Turn Chair ’  
is a chair designed for  
indoor use. The chair is  
tested according  
to EN 16139 - L1.

### Weight

3,6 kg

3,8 kg with upholstery

### Materials

Back frame: Molded plywood & laminated veneer

Legs: Laminated veneer

Seat: Molded plywood

Surface treatment: Water based lacquer

Fittings: Steel

### Upholstered version

Upholstered seat: Ecolabelled textile, plywood

Foam: OekoTex class 1 certified

UK version: Foam contains flame retardants melamine  
and TCPP and has been tested according to “BS5852  
part 2 ignition source 5 crib”

OekoTex class 2 certified.

UK version is not ecolabelled

### Tests & Declarations

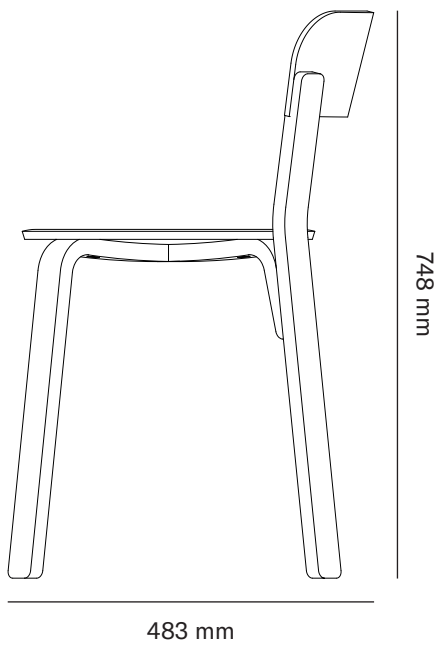
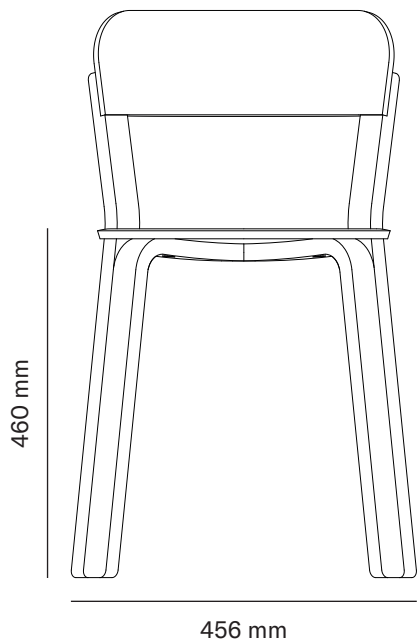
The chair has passed the furniture test EN 16139 - L1

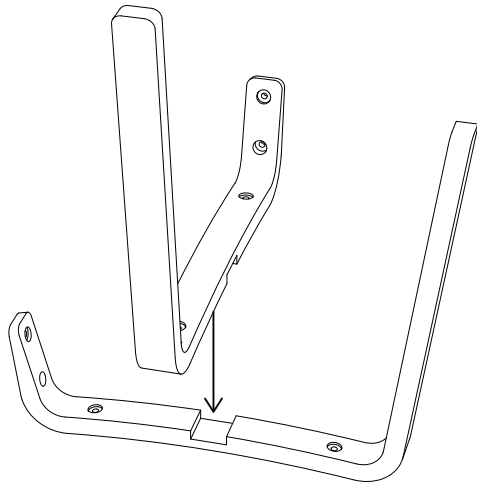
The chair is not treated with or containing disinfective  
biocides.



FSC® N002932  
The mark of  
responsible forestry

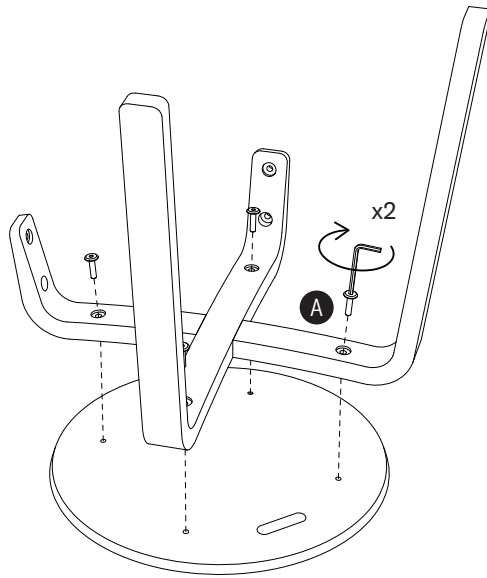
## Dimensions

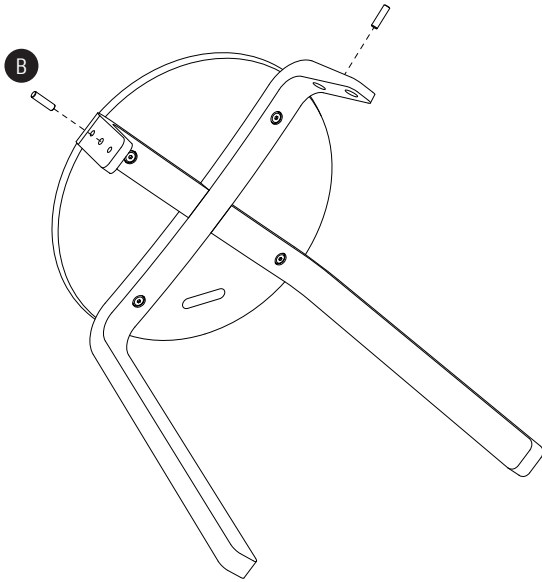




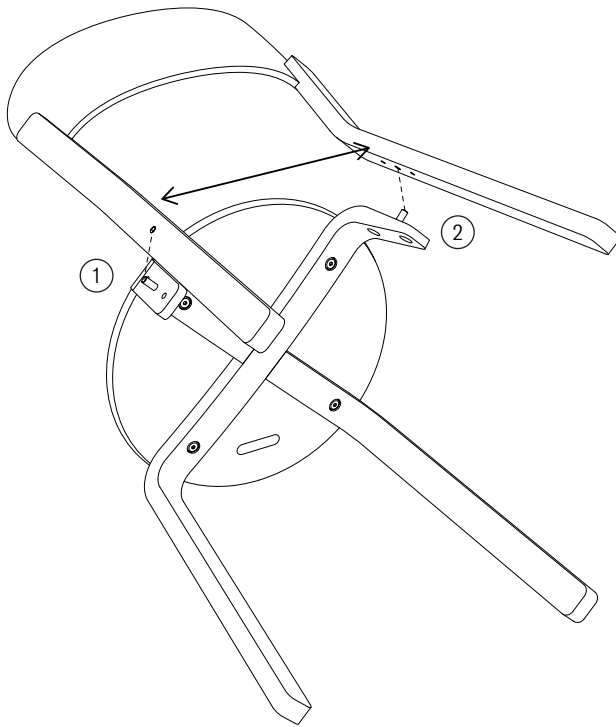
**Important!**

Turn all screws **ONLY** two rounds. Make sure the screws easily grip the thread. Then tighten all screws.







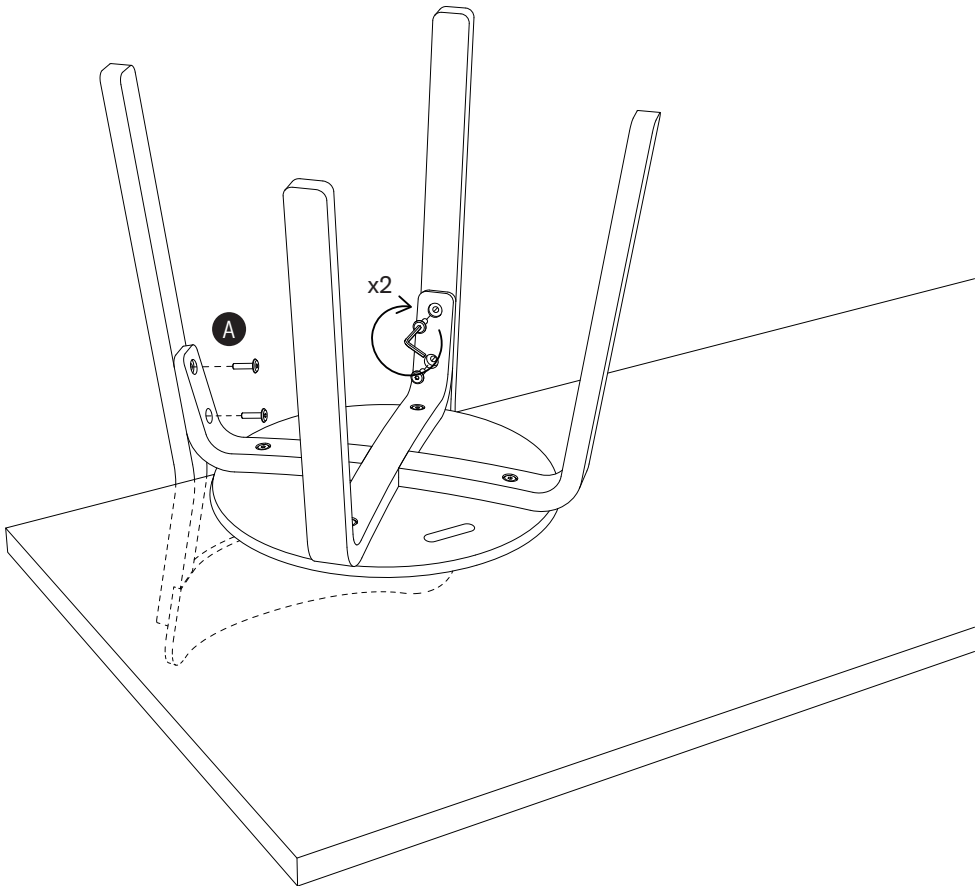


① Start by mounting the dowel in the hole on one side.

② Then gently push the opposite leg outwards until the last dowel fits the second hole.

**Important!**

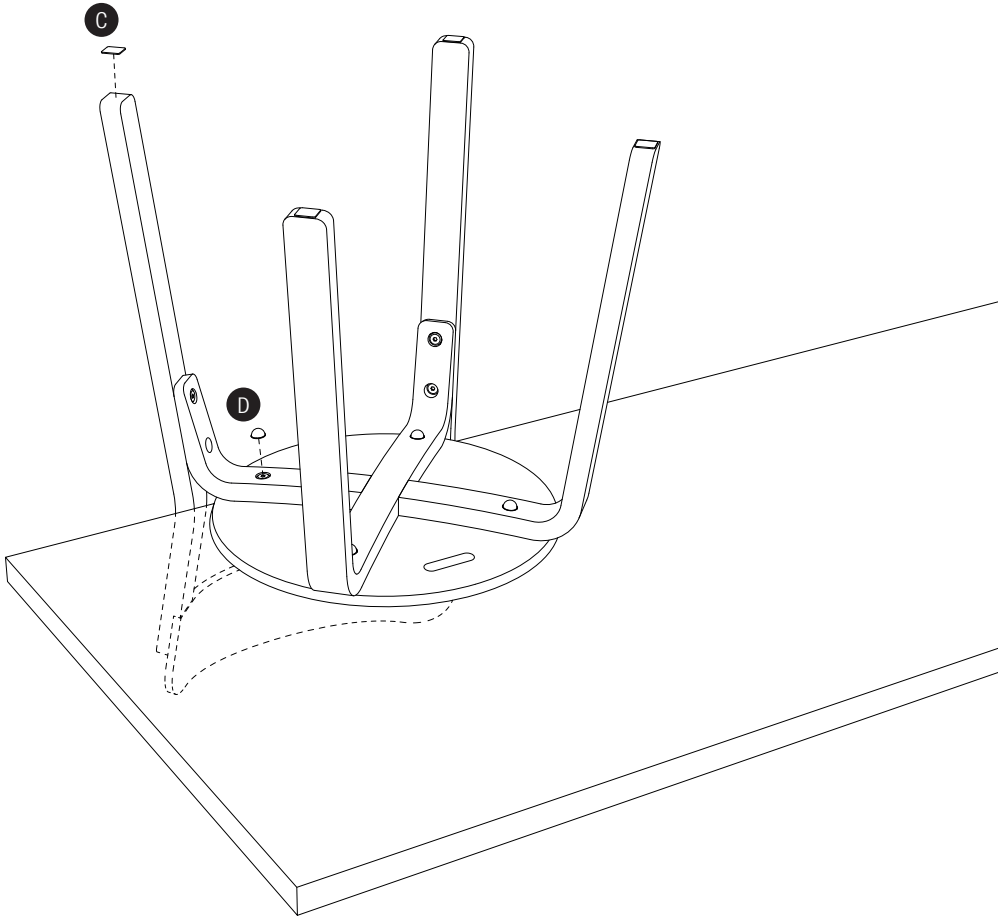
Turn all screws ONLY two rounds. Make sure the screws easily grip the thread. Then tighten all screws.

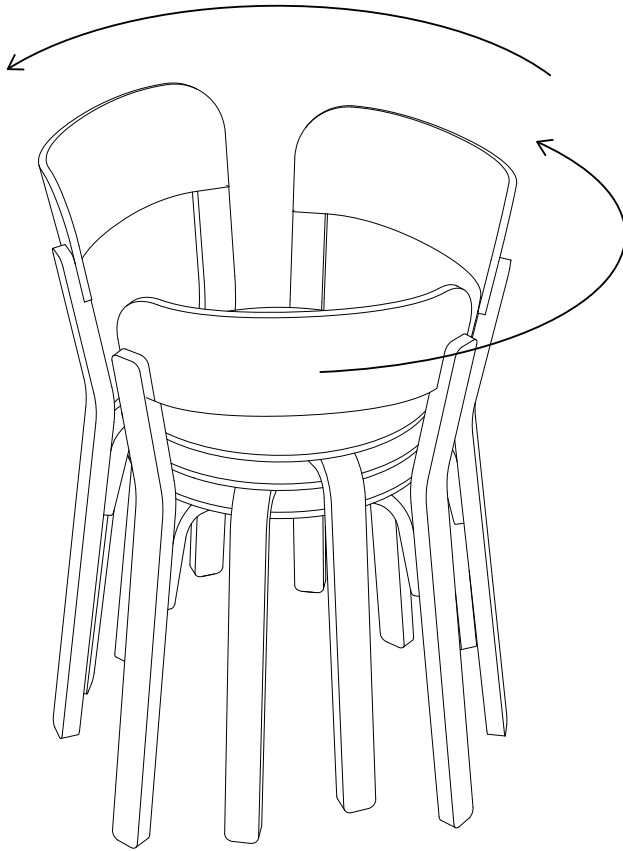


**Optional**

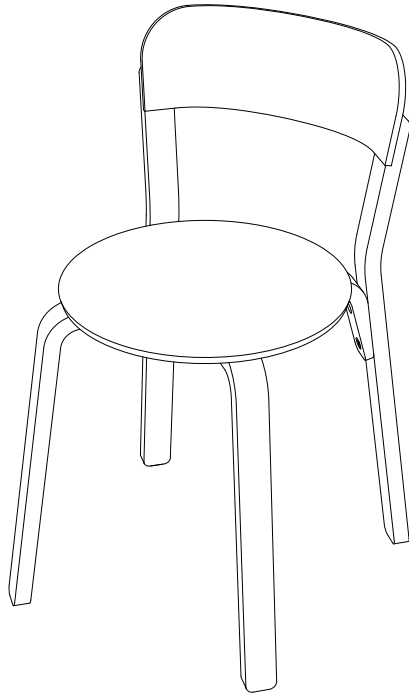
If you will place the chair on a hard surface (wooden floor, tile floor, etc.) you can mount the felt gliders **C** to prevent friction.

If you will stack Turn Chairs with wooden seats, mount the stacking gliders **D** on the screws to prevent scratches. **NOTE:** If you will stack Turn Chairs with upholstered seats the stacking gliders should not be mounted.





The chair is stackable up to three chairs.  
Place the seats vertically above each other while rotating the chairs.  
Make sure that the backrests do not overlap.



Enjoy your new chair.

## **Additional Information**

TAKT provides an extended warranty of 5 years on 'T22 Turn Chair'.

### **Warranty**

TAKT provides an extended warranty of 5 years on 'T22 Turn Chair'. The warranty covers breakage of components and damage occurred because of deficient craftsmanship under normal use.

The warranty shall lapse if the product shows signs of inappropriate use or other physical damage. The warranty does not cover wear or damage to gliders, surfaces and the like. In each case, TAKT will decide whether to repair, offer a discount, exchange with a comparable product, or take the product back for a full discount.

### **Maintenance**

TAKT maintenance guide is accessible on our website

[www.taktcph.com/  
product-care/](http://www.taktcph.com/product-care/)

### **Spare Parts**

TAKT offers spare parts for 'T22 Turn Chair'. Spare parts are available from TAKT without charge for a period of 5 years from the date of purchase if the parts are found to be faulty during normal use. If the parts are damaged by misuse spare parts can be bought from TAKT.

TAKT always strives to deliver spare parts to you in the fastest and most efficient way in order for your furniture to return to a functional condition.

Please contact TAKT for inquiries regarding spare parts.

### **Recycling & Disassembly**

We hope that your TAKT product will serve you well for many, many years.

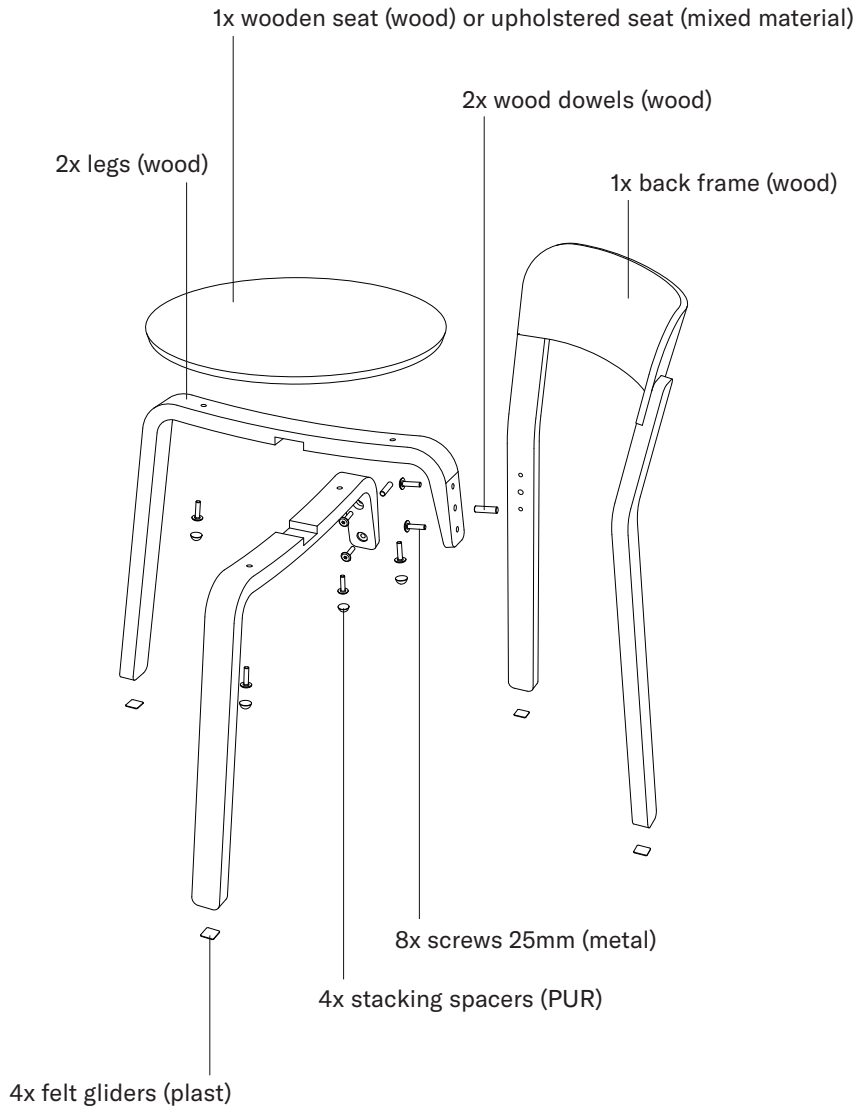
If you at one point want to recycle it, please separate it into components for sorting.

Untighten screws by turning the Allen key counter clockwise to separate the different parts.

Metal parts, wooden parts and plastic parts can be delivered to a suitable recycling facility and be recycled.

Mixed material and PUR parts can be delivered to a recycling facility for suitable disposal.

[info@taktcph.com](mailto:info@taktcph.com)



# **TAKT**<sup>TM</sup>

---

[taktph.com](http://taktph.com)