

TAKT™



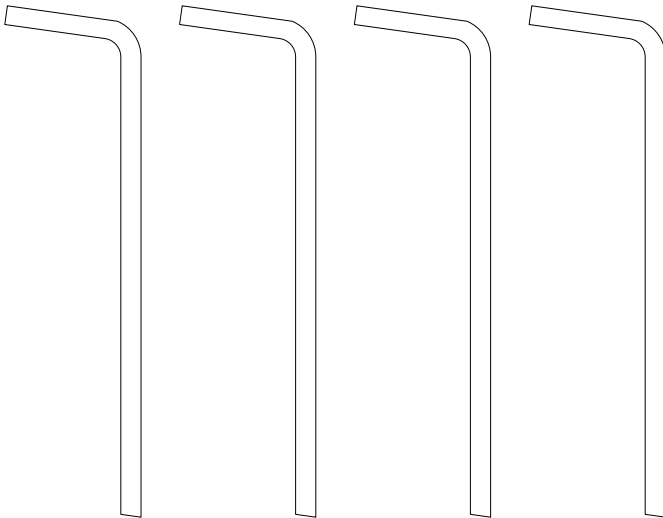
T23 Turn Table

Building Instructions

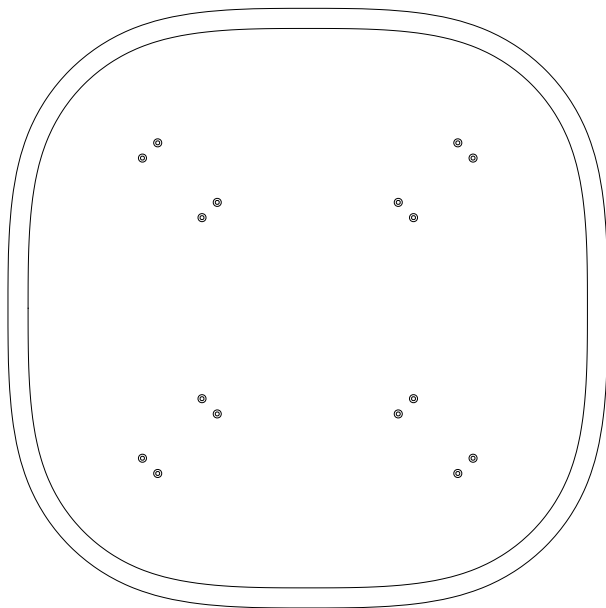
Important Notice

Only use the listed tools.
Do **not** use power tools.
Tighten in accordance with
the building instructions.
Avoid over-tightening.
There is no need for
strong force.

4x legs



1x tabletop



A

16x screws (35mm)



B

4x felt gliders



1x Allen key (SW4)



Product Information

‘T23 Turn Table’
is a table designed for
indoor use. The table is
tested according
to EN 15372 - L2.

Weight

13,5 kg

Materials

Tabletop: Plywood with laminate

Legs: Laminated veneer

Surface treatment: Water based lacquer

Fittings: Steel

Tests & Declarations

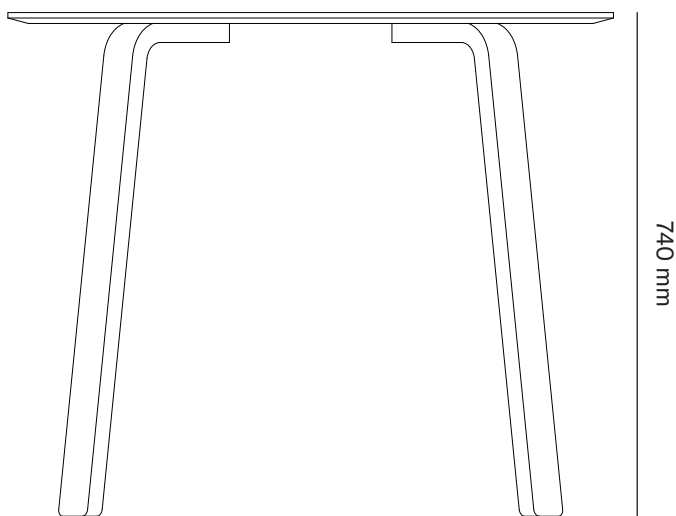
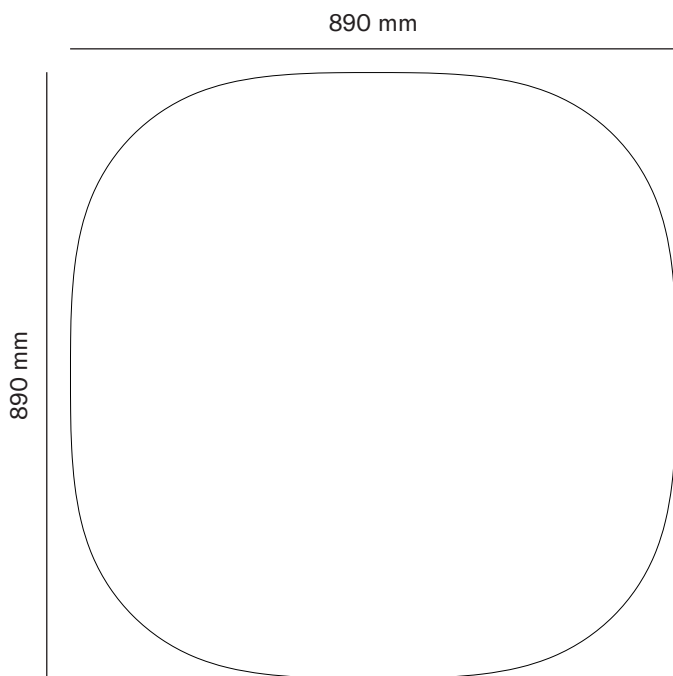
The table has passed the furniture test EN 15372 - L2

The table is not treated with or containing disinfective
biocides.



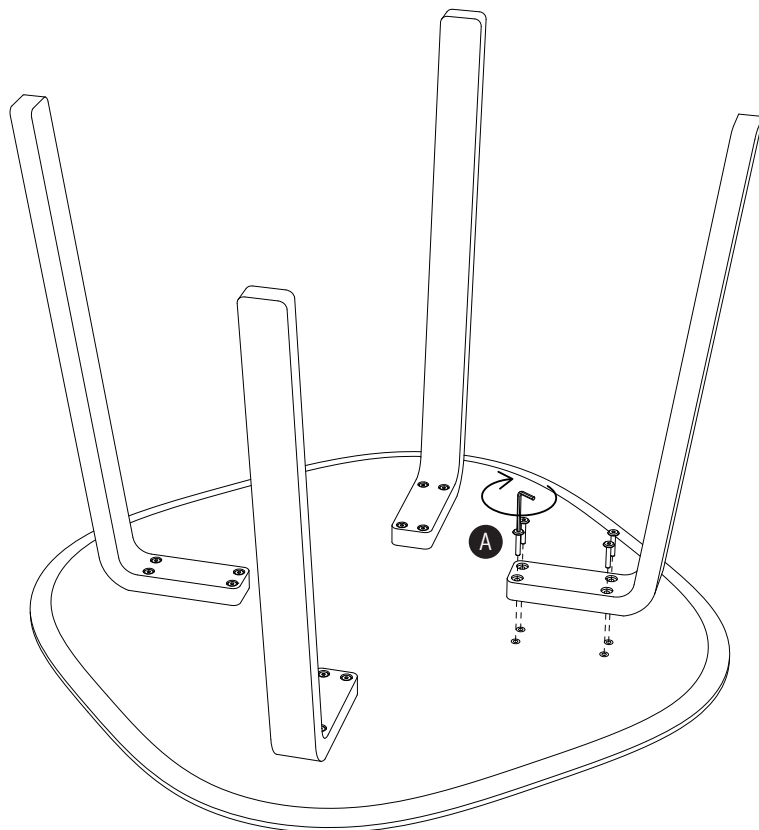
FSC® N002832
The mark of
responsible forestry

Dimensions



Important!

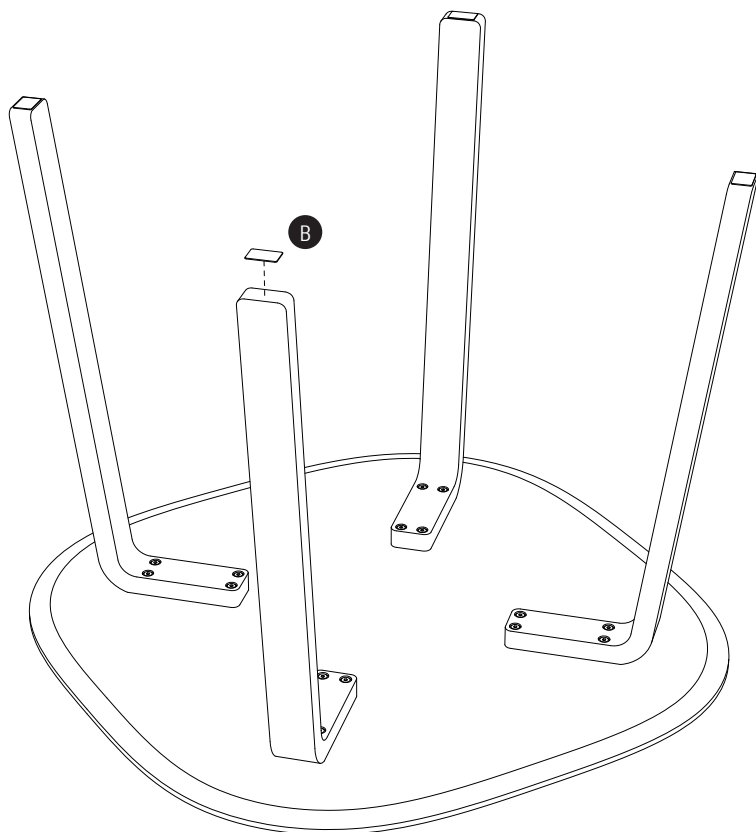
Place the tabletop on a blanket. Turn all screws **A** to mount the legs. Make sure the screws easily grip the thread.



6



If you will use the table on a hard surface (wooden floor, tile floor, etc.) you can mount the felt gliders **B** to prevent friction.



B



x4



Enjoy your new table.

Additional Information

TAKT provides an extended warranty of 5 years on 'T23 Turn Table'.

Warranty

TAKT provides an extended warranty of 5 years on 'T23 Turn Table'. The warranty covers breakage of components and damage occurred because of deficient craftsmanship under normal use.

The warranty shall lapse if the product shows signs of inappropriate use or other physical damage. The warranty does not cover wear or damage to gliders, surfaces and the like. In each case, TAKT will decide whether to repair, offer a discount, exchange with a comparable product, or take the product back for a full discount.

Maintenance

TAKT maintenance guide is accessible on our website

[www.taktcph.com/
product-care/](http://www.taktcph.com/product-care/)

Spare Parts

TAKT offers spare parts for 'T23 Turn Table'. Spare parts are available from TAKT without charge for a period of 5 years from the date of purchase if the parts are found to be faulty during normal use. If the parts are damaged by misuse spare parts can be bought from TAKT.

TAKT always strives to deliver spare parts to you in the fastest and most efficient way in order for your furniture to return to a functional condition.

Please contact TAKT for inquiries regarding spare parts.

Recycling & Disassembly

We hope that your TAKT product will serve you well for many, many years.

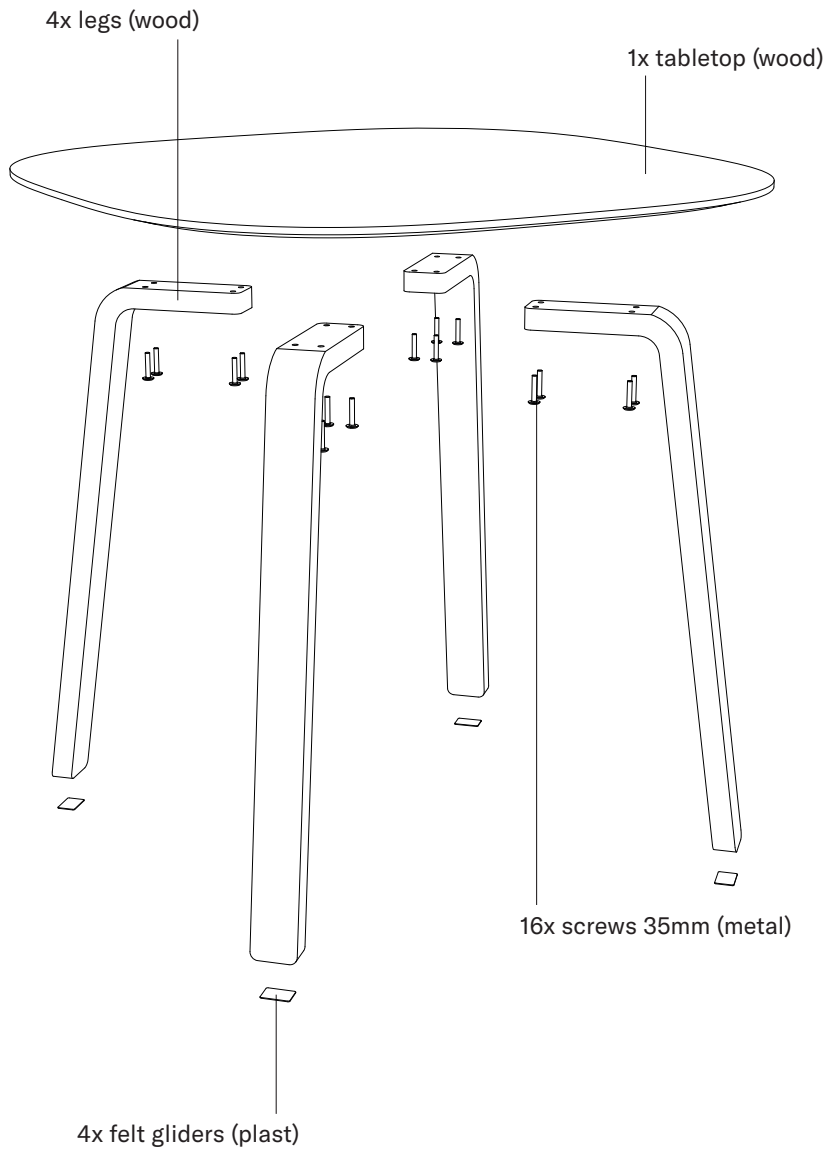
If you at one point want to recycle it, please separate it into components for sorting.

Untighten screws by turning the Allen key counter clockwise to separate the different parts.

Metal parts and plastic parts can be delivered to a suitable recycling facility and be recycled.

Wooden parts can be delivered to a suitable recycling facility and be recycled or used for energy recovery through incineration.

info@taktcph.com



TAKTTM

taktoph.com