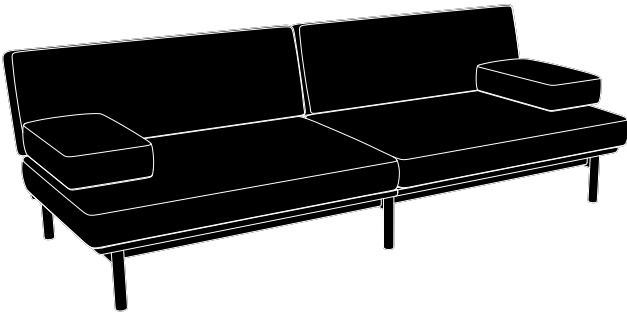


# TAKT™



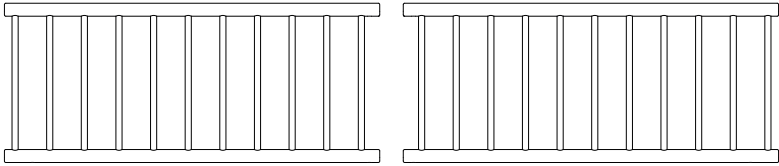
## T19 Spoke Sofa

**Building Instructions**

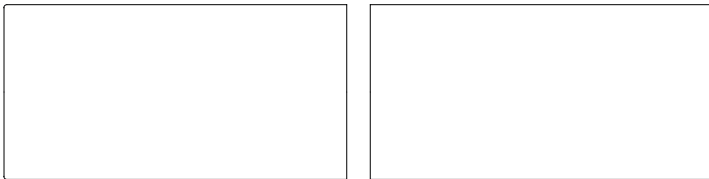
**Important Notice**

Only use the listed tools.  
Do **not** use power tools.  
Tighten in accordance with  
the building instructions.  
Avoid over-tightening.  
There is no need for  
strong force.

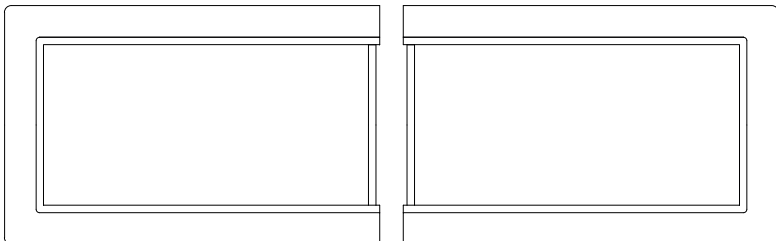
2x back frames



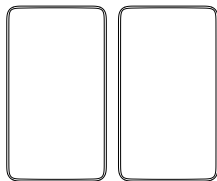
2x seat panels



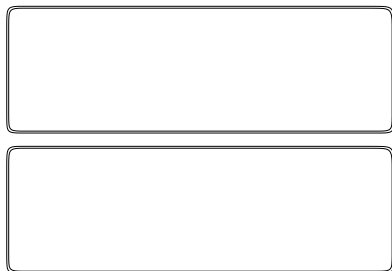
2x seat frames



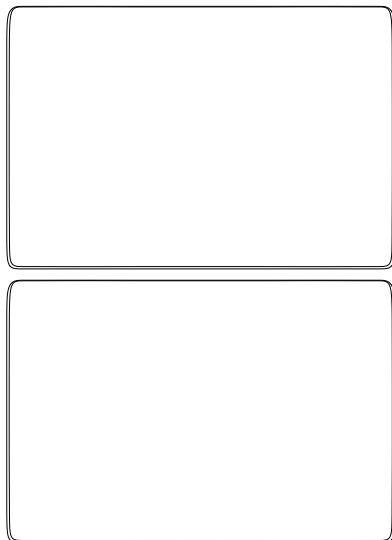
arm cushions (optional)



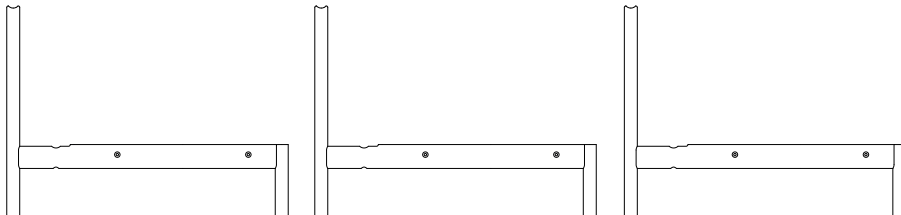
2x back cushions



2x seat cushions



3x leg frames



A 5x connecting fitting house



B 2x double bolt



C 4x pinol screw (12mm)



D 4x screw (35mm)



E 6x metal head



F 2x screw (55mm)



G 3x wood dowel



H 2x screw (70mm)



I 1x screw (55mm)



a 2x medium Allen key (SW4)



b 1x big Allen key (SW8)



## Product Information

‘T19 Spoke Sofa’  
is a sofa designed for  
indoor use. The sofa is  
tested according  
to EN 16139 - L1.

### Weight

Sofa  
50,0 kg

Arm cushion (optional)  
0,9 kg

### Materials

Frame: Solid wood  
Seat panel: Mdf  
Surface treatment: Oil  
Fittings: Steel  
Cover: Ecolabelled textile or leather  
Foam: OekoTex class 1 certified

UK version: Foam contains flame retardants melamine  
and TCPP and has been tested according to “BS5852  
part 2 ignition source 5 crib”.  
OekoTex class 2 certified  
UK version is not ecolabelled

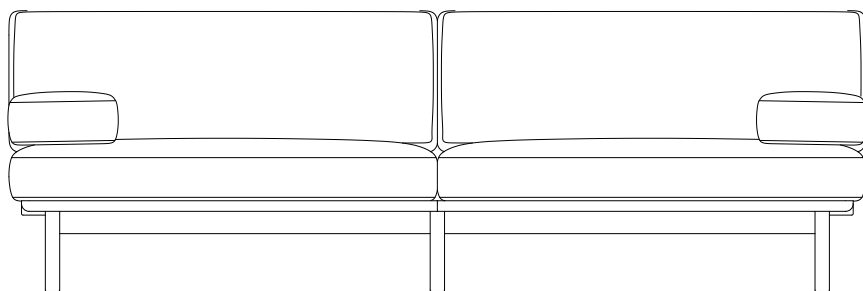
### Tests & Declarations

The sofa has passed the furniture test EN-16139 - L1  
The sofa is not treated with or containing disinfective  
biocides.

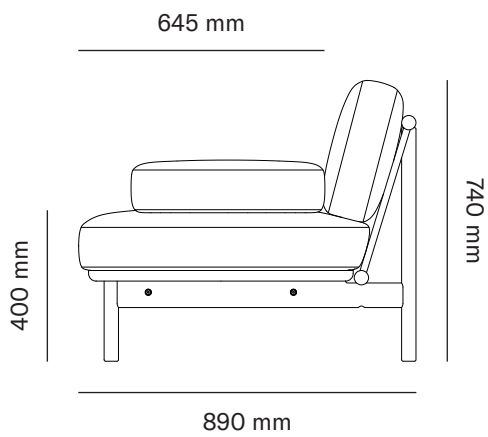


The mark of  
responsible forestry

## Dimensions



2270 mm



645 mm

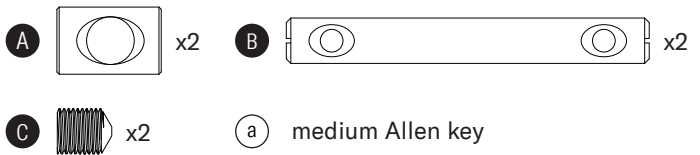
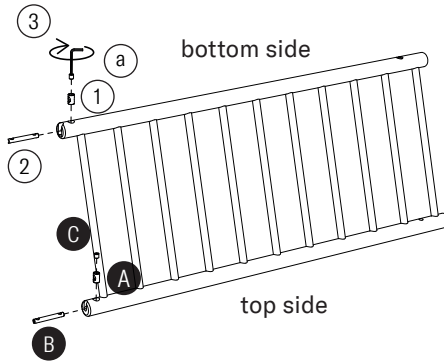
400 mm

740 mm

890 mm

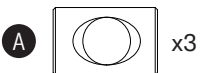
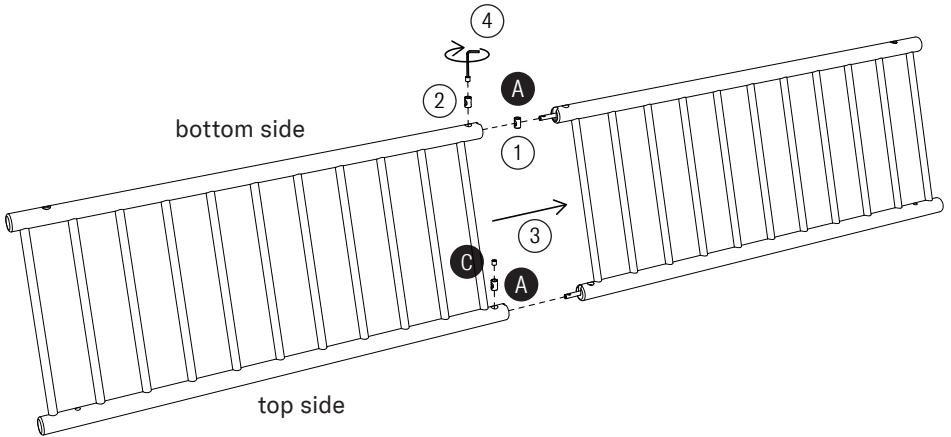
**Important!**

Mount the fittings in the sequence 1 to 3. Make sure that the threads in the connecting fitting house **A** are positioned outwards. Only tighten the pinol screws **C** loosely.

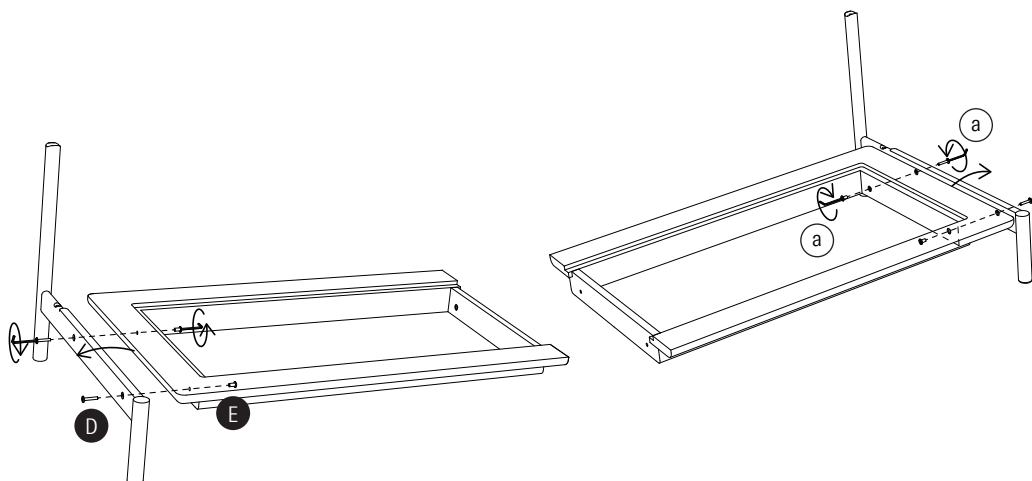


**Important!**


Mount the fittings and components in the sequence 1 to 4. Make sure that the threads in the connecting fitting house **A** are positioned outwards. Then tighten all the pinol screws. **C**




Place the seat frame on the leg frame and connect the 35mm screws **D** with the metal heads **E** using the medium size Allen keys. **a**



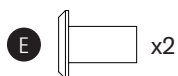
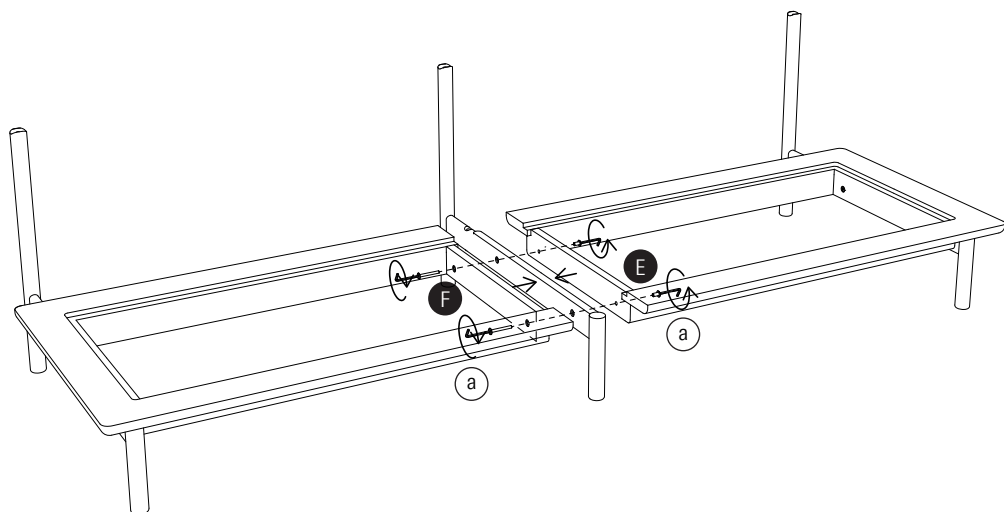
8

**D**  x4 **a** medium Allen key x2

**E**  x4



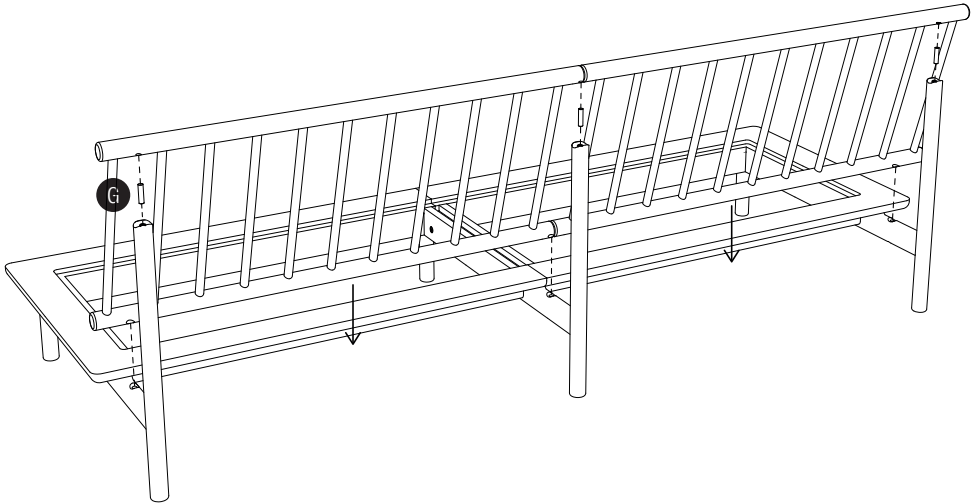
Place the two mounted seat frames on the last leg frame and connect the 55mm screws **F** with the metal heads **E** using the medium size Allen keys. **a**



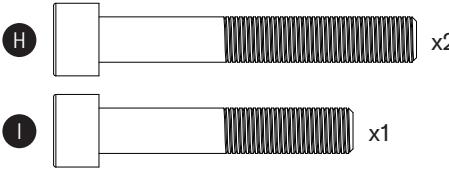
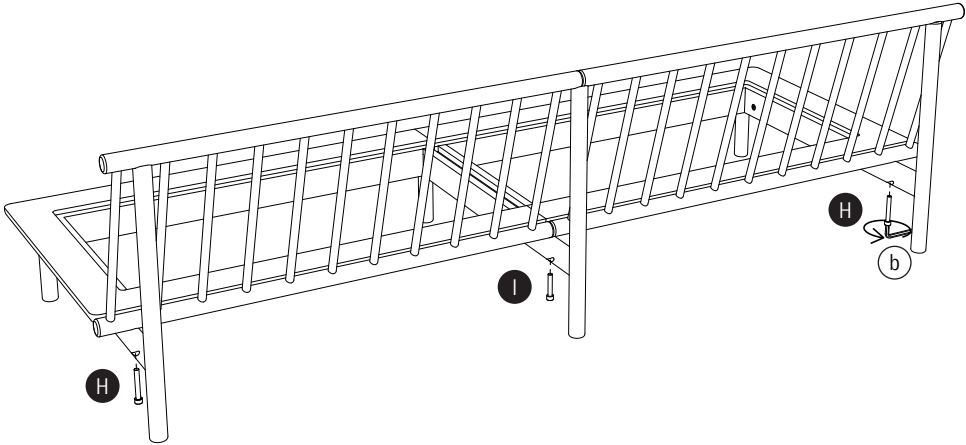
**a** medium Allen key x2



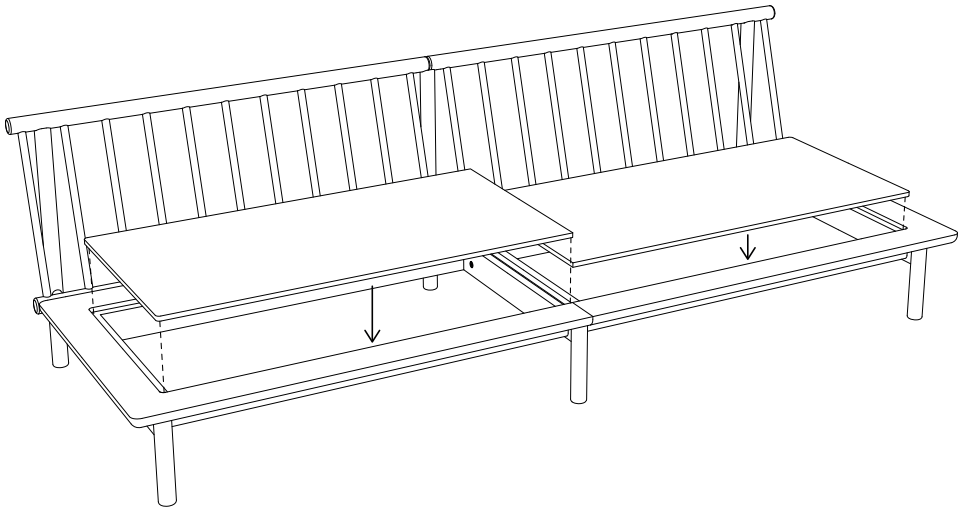
Place the dowels in the holes in the top of the leg frames. Then place the back frame onto the leg frames guided by the dowels. Make sure the bottom of the back frame is laying in the grooves in the leg frames.

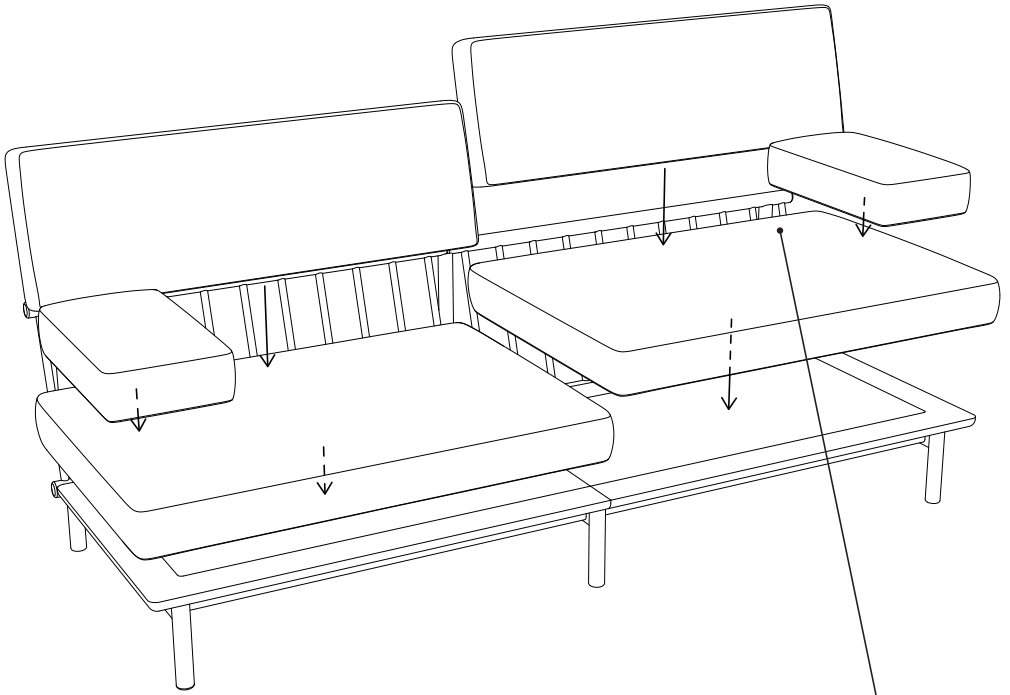


Mount the screws from below through the leg frames. Make sure the screws easily grip the threads in the bottom of the back frame. Then tighten all screws.



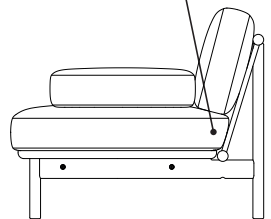
(b) big Allen key





**Important!**

Place the angled side of the seat cushion towards the back. Back cushion and armrest cushions have no front and back side and can be turned either way.



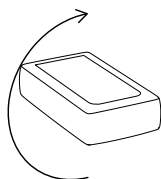
side view

Place the cushions on the wooden frame starting with the seat.

## Unmounting covers for washing or replacement

### Armrest cushion

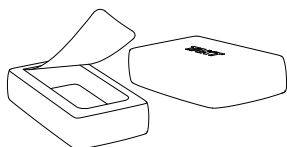
- 1 Turn bottom side up



- 2 Unzip

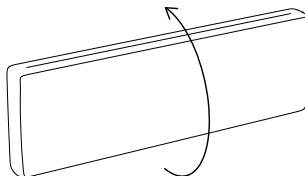


- 3 Take out foam cushion

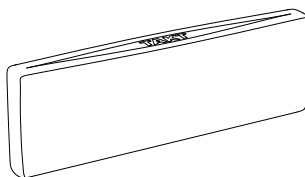


### Back cushion

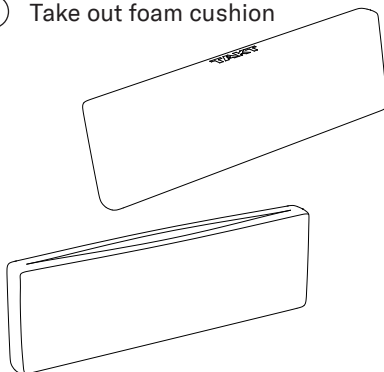
- 1 Turn bottom side up



- 2 Unzip



- 3 Take out foam cushion



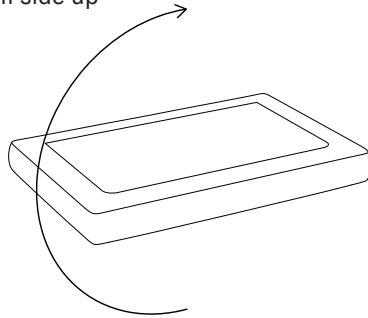
The covers are removable and the textile covers can be washed. When remounting the covers make sure to orient the TAKT logo side toward the zipper opening.

**IMPORTANT NOTICE!** Textile covers can be washed at maximum 40°C and must drip dry.

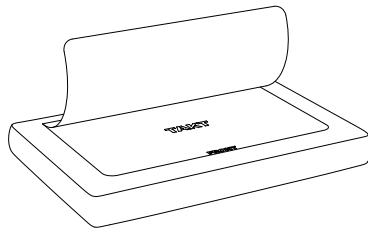
# Unmounting covers for washing or replacement

## Seat cushion

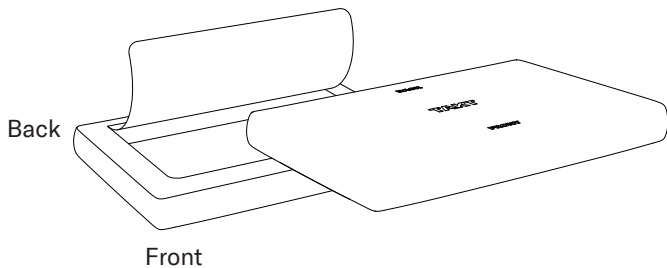
- ① Turn bottom side up



- ② Unzip

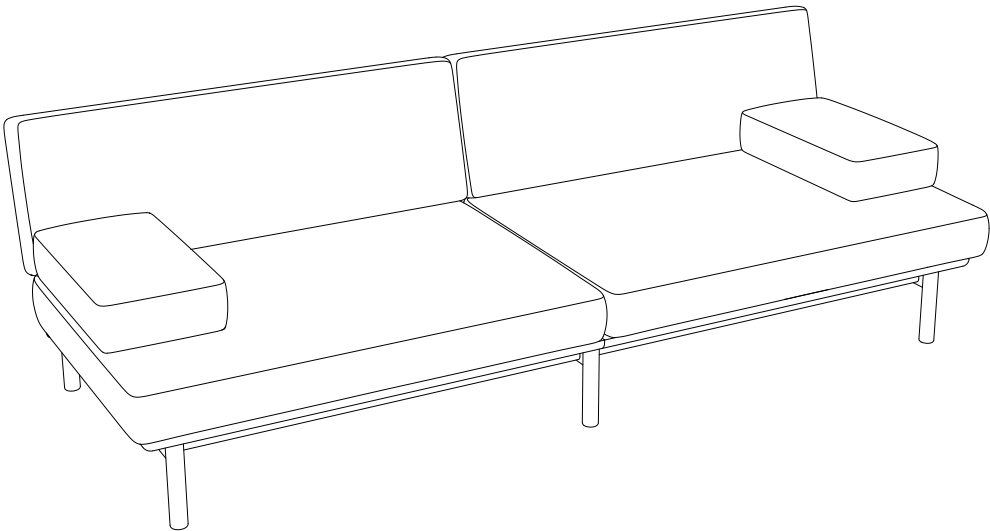


- ③ Take out foam cushion



When remounting the seat covers make sure to orient the TAKT logo side toward the zipper opening. Make sure to turn the foam cushion right. FRONT and BACK is embossed in the foam to guide the direction.

**IMPORTANT NOTICE!** Textile covers can be washed at maximum 40°C and must drip dry.





Enjoy your new sofa.

## **Additional Information**

# TAKT provides an extended warranty of 5 years on 'T19 Spoke Sofa'.

### **Warranty**

TAKT provides an extended warranty of 5 years on 'T19 Spoke Sofa'. The warranty covers breakage of components and damage occurred because of deficient craftsmanship under normal use.

The warranty shall lapse if the product shows signs of inappropriate use or other physical damage. The warranty does not cover wear or damage to upholstery, gliders, surfaces and the like. In each case, TAKT will decide whether to repair, offer a discount, exchange with a comparable product, or take the product back for a full discount.

### **Maintenance**

TAKT maintenance guide is accessible on our website

[www.taktcph.com/  
product-care/](http://www.taktcph.com/product-care/)

### **Spare Parts**

TAKT offers spare parts for 'T19 Spoke Sofa'. Spare parts are available from TAKT without charge for a period of 5 years from the date of purchase if the parts are found to be faulty during normal use. If the parts are damaged by misuse spare parts can be bought from TAKT.

TAKT always strives to deliver spare parts to you in the fastest and most efficient way in order for your furniture to return to a functional condition.

Please contact TAKT for inquiries regarding spare parts.

### **Recycling & Disassembly**

We hope that your TAKT product will serve you well for many, many years.

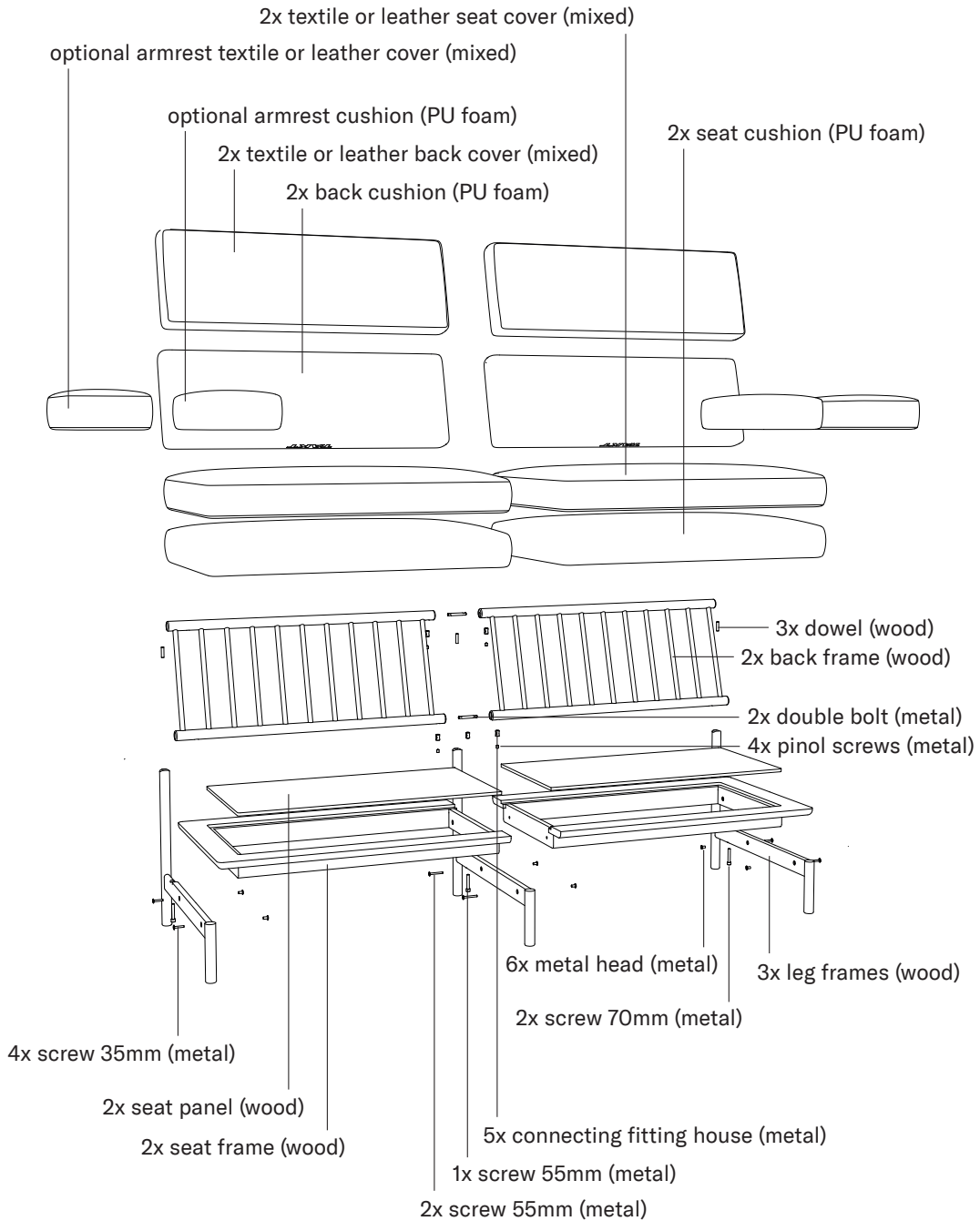
If you at one point want to recycle it, please separate it into components for sorting.

Untighten screws by turning the Allen key counter clockwise to separate the different parts.

Metal parts can be delivered to a suitable recycling facility and be recycled.

Wooden parts, foam and mixed material can be delivered to a suitable recycling facility and be recycled or used for energy recovery through incineration.

[info@taktcph.com](mailto:info@taktcph.com)



# **TAKT**<sup>TM</sup>

---

[taktoph.com](http://taktoph.com)