

TAKT™



T24 Bow Chair

Building Instructions

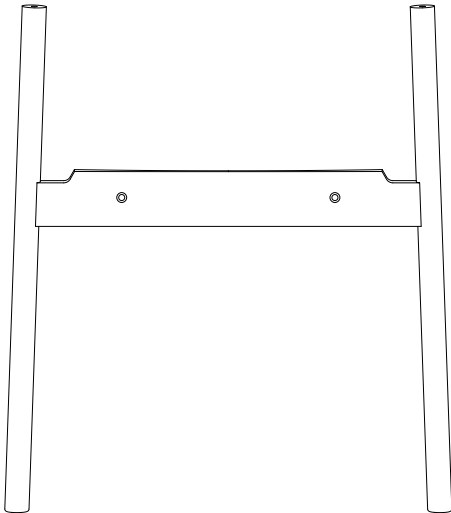
T24 Bow Chair

Building Instructions

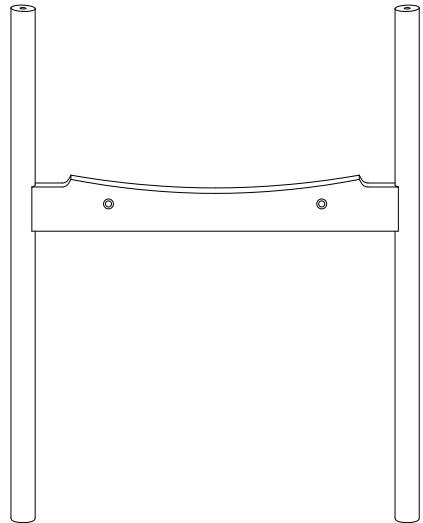
Important Notice

Only use the listed tools.
Do **not** use power tools.
Tighten in accordance with
the building instructions.
Avoid over-tightening.
There is no need for
strong force.

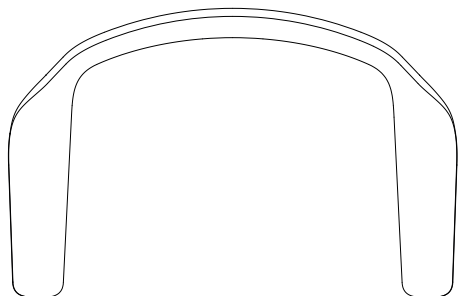
1x front leg frame



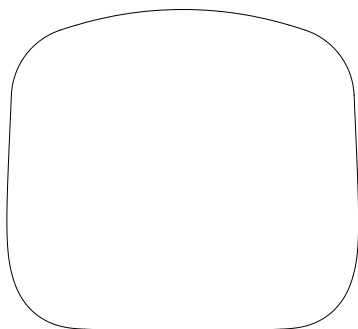
1x back leg frame



1x backrest



1x seat



1x right apron



1x left apron



A 8x wood dowels



B 4x screws (60mm)



C 4x metal collars



D 4x metal cross dowels



E 4x felt gliders



F 4x plastic gliders



G 4x screws (50mm)



H 4x connecting fitting house



I 4x pinol screws



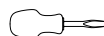
a 1x Allen key (SW4)



b 1x Allen key (SW3)



Flat-head screw driver
(not provided)



Product Information

‘T24 Bow Chair ’
is a chair designed for
indoor use. The chair is
tested according
to EN 16139 - L1.

Weight

6,1 kg
6,4 kg with upholstery

Seat dimensions

D: 426 mm
W: 464 mm

Materials

Backrest: Molded plywood
Seat: Molded plywood
Leg frame: Solid wood
Surface treatment: Water based lacquer
Fittings: Steel
Gliders: Plastic

Upholstered version

Upholstered seat: Ecolabelled textile or leather, plywood
Foam: OekoTex class 1 certified
UK version: Foam contains flame retardants melamine
and TCPP and has been tested according to “BS5852
part 2 ignition source 5 crib”
OekoTex class 2 certified.

Tests & Declarations

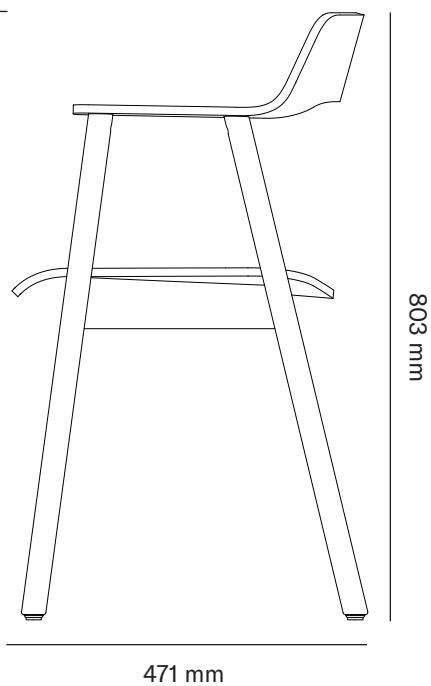
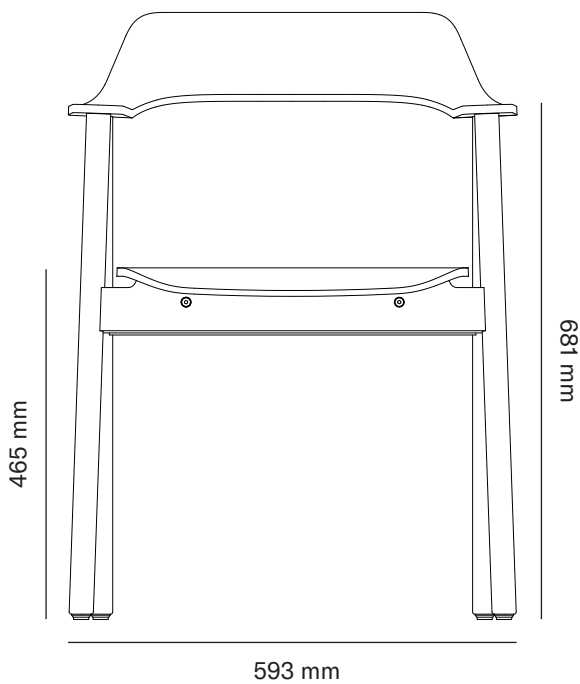
The chair has passed the furniture test EN 16139 - L1
The chair is not treated with or containing disinfective
biocides.

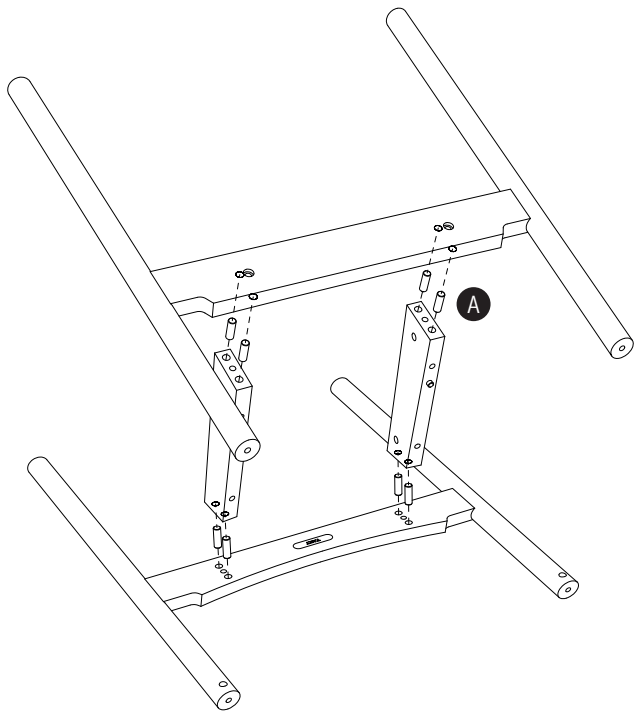
The chair has has been awarded the EU Ecolabel.
The upholstered UK version is not ecolabelled due to the
required flame retardants.



FSC® N002932
The mark of
responsible forestry

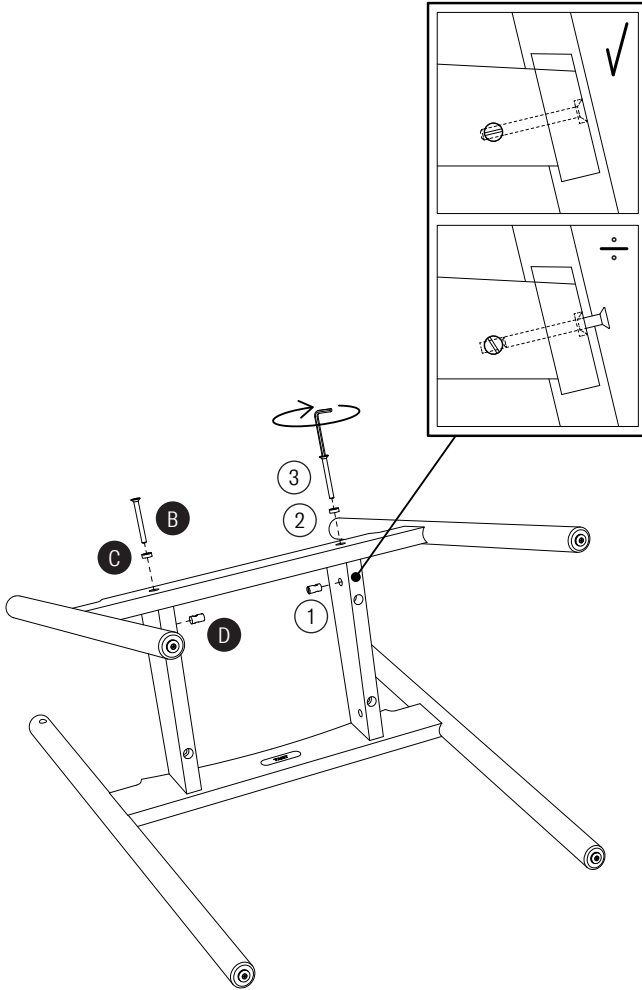
Dimensions





8

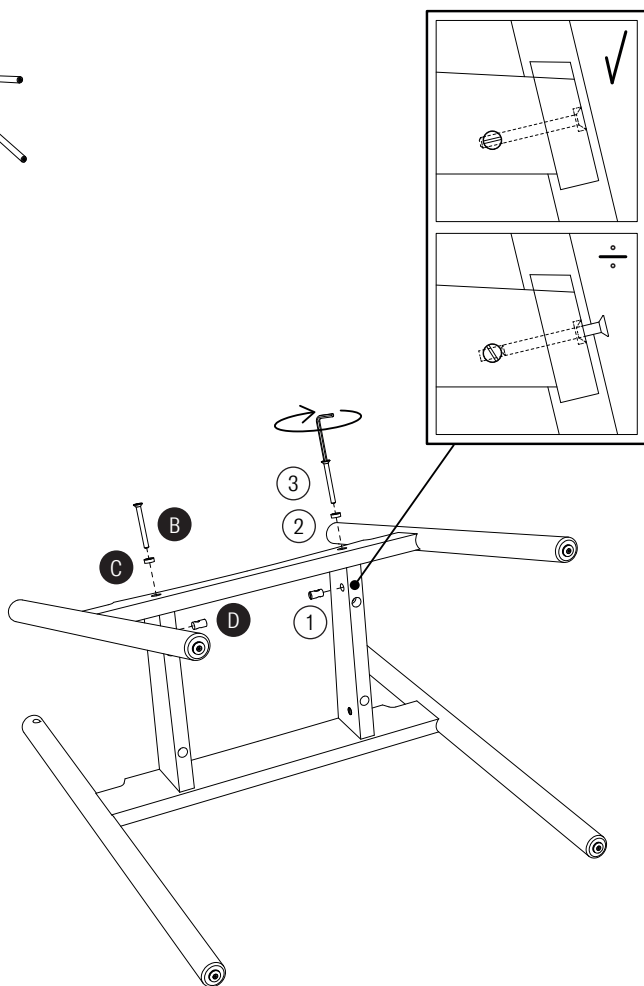
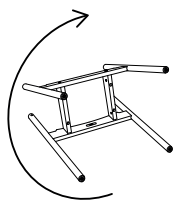
A  x8



Important!

Mount the fittings in the sequence 1 - 3. Make sure the groove in the metal cross dowel align with the direction of the screw. Make sure the screws easily grip the thread. Do **not** fully tighten the screws.



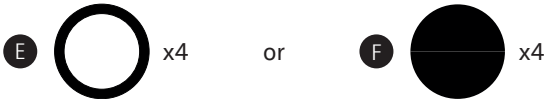
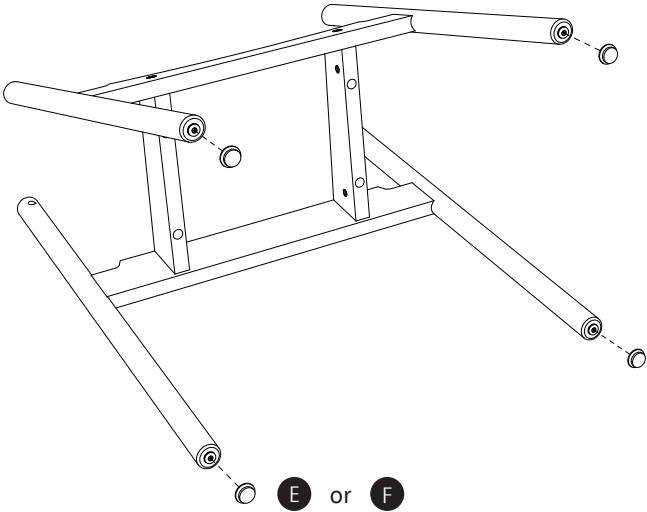


Mount the fittings in the sequence 1 - 3. Make sure the groove in the metal cross dowel align with the direction of the screw. Make sure the screws easily grip the thread. Do **not** fully tighten the screws.

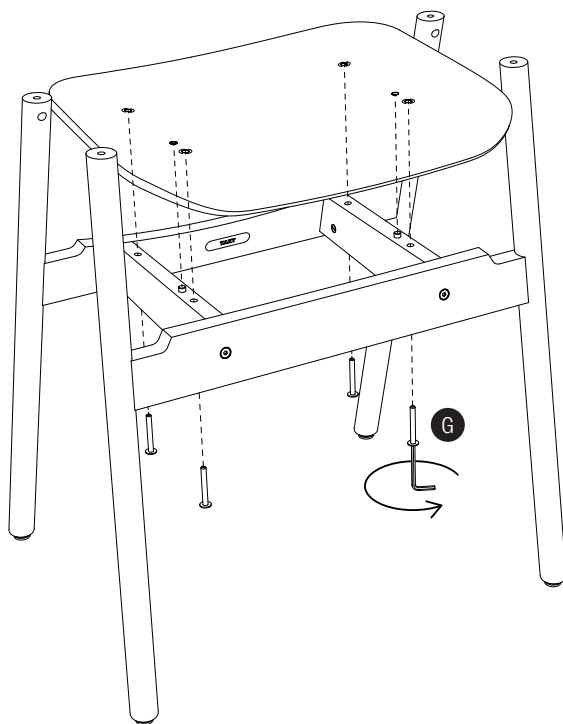
10



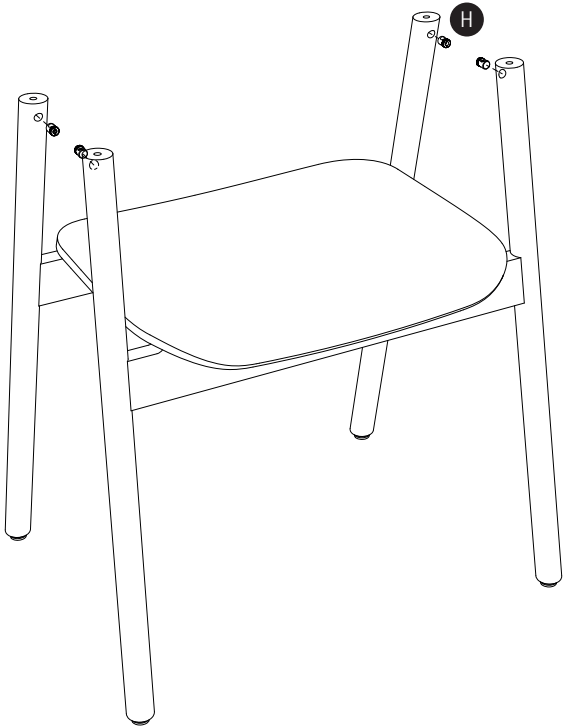
The chair must be fitted with either felt gliders for hard surfaces or plast gliders for soft surfaces such as carpets, etc.
If you at a later time need to change the gliders these can be clicked off and changed.

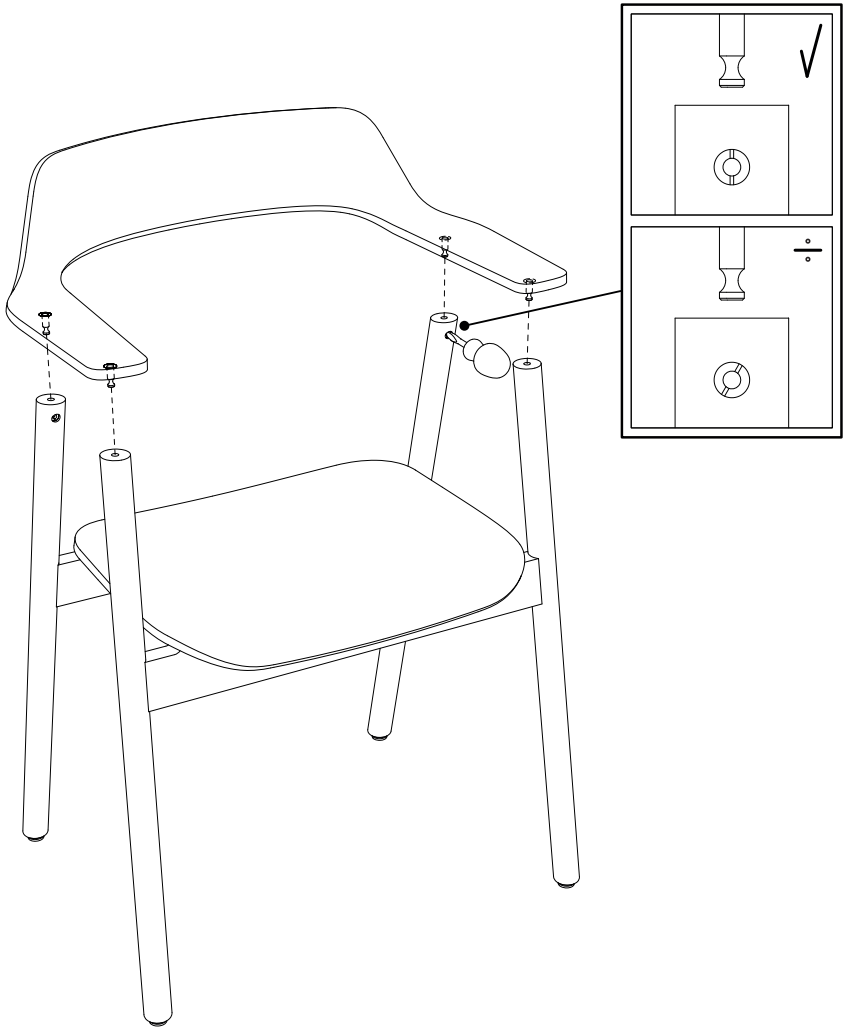


Place the seat on the leg frame and mount the screws. Make sure the screws easily grip the thread. Do **not** fully tighten the screws.



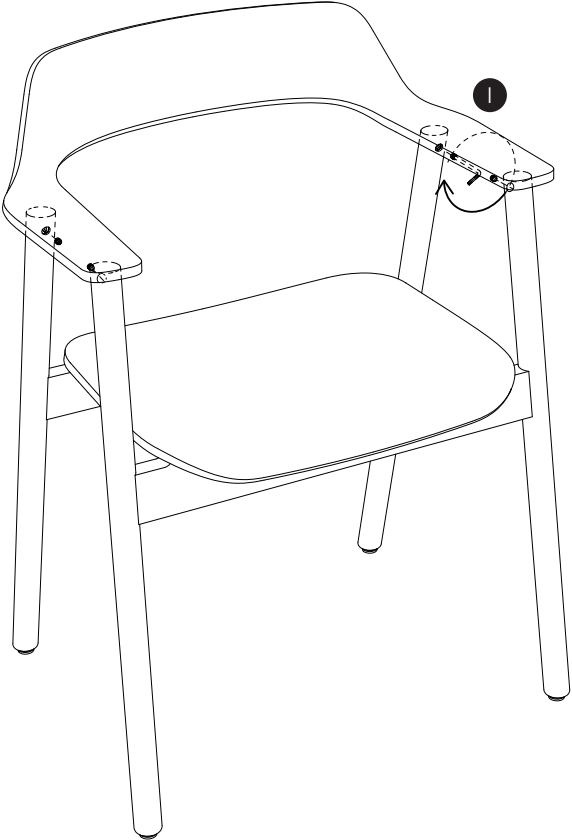
Place the connecting fitting houses in the holes at the sides of the top of the legs. Make sure that the holes in the sides of the connecting fitting houses align with the holes at the top of the legs.

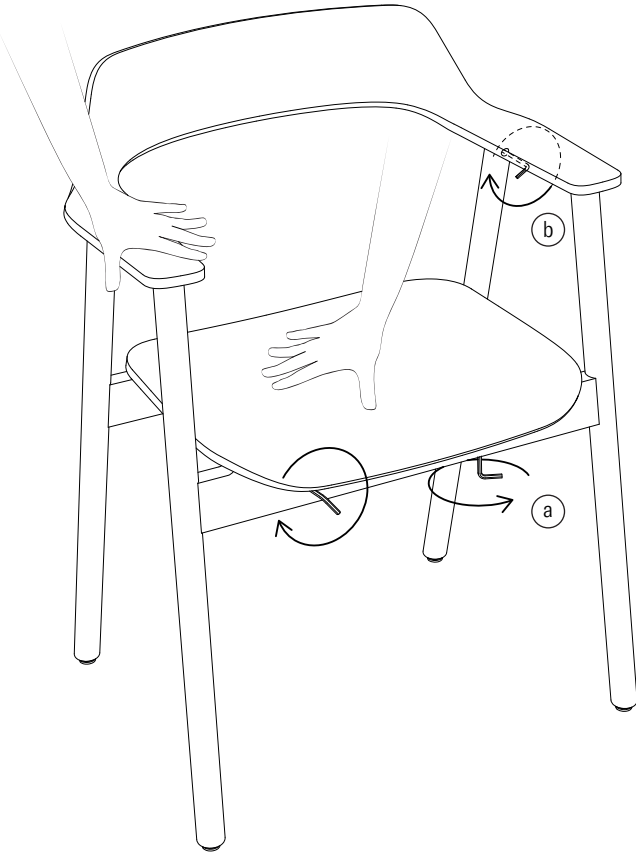




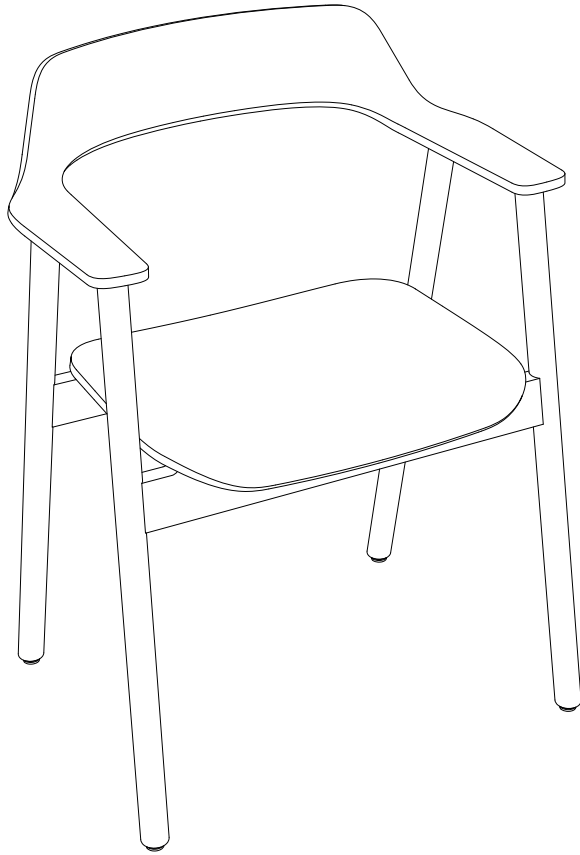
Place the metal dowels in the holes at the top of the legs.
Make sure the groove in the connecting fitting house align with the direction of the metal dowel. Use a screw driver to align the groove.

Lightly mount the pinol screws ❶ in the connecting fitting house. Make sure the screws easily grip the thread. Do **not** fully tighten the screws.





- Ⓐ Push down on seat and make sure all legs are touching the floor. Then tighten screws below seat using Allen key (SW4).
- Ⓑ Push down on backrest to get a tight fit with the legs. Then tighten screws below armrest using Allen key (SW3).



Enjoy your new chair.

Additional Information

TAKT provides an extended warranty of 5 years on 'T24 Bow Chair'.

Warranty

TAKT provides an extended warranty of 5 years on 'T24 Bow Chair'. The warranty covers breakage of components and damage occurred because of deficient craftsmanship under normal use.

The warranty shall lapse if the product shows signs of inappropriate use or other physical damage. The warranty does not cover wear or damage to gliders, surfaces and the like. In each case, TAKT will decide whether to repair, offer a discount, exchange with a comparable product, or take the product back for a full discount.

Maintenance

TAKT maintenance guide is accessible on our website

[www.taktcph.com/
product-care/](http://www.taktcph.com/product-care/)

Spare Parts

TAKT offers spare parts for 'T24 Bow Chair'. Spare parts are available from TAKT without charge for a period of 5 years from the date of purchase if the parts are found to be faulty during normal use. If the parts are damaged by misuse spare parts can be bought from TAKT.

TAKT always strives to deliver spare parts to you in the fastest and most efficient way in order for your furniture to return to a functional condition.

Please contact TAKT for inquiries regarding spare parts.

Recycling & Disassembly

We hope that your TAKT product will serve you well for many, many years.

If you at one point want to recycle it, please separate it into components for sorting.

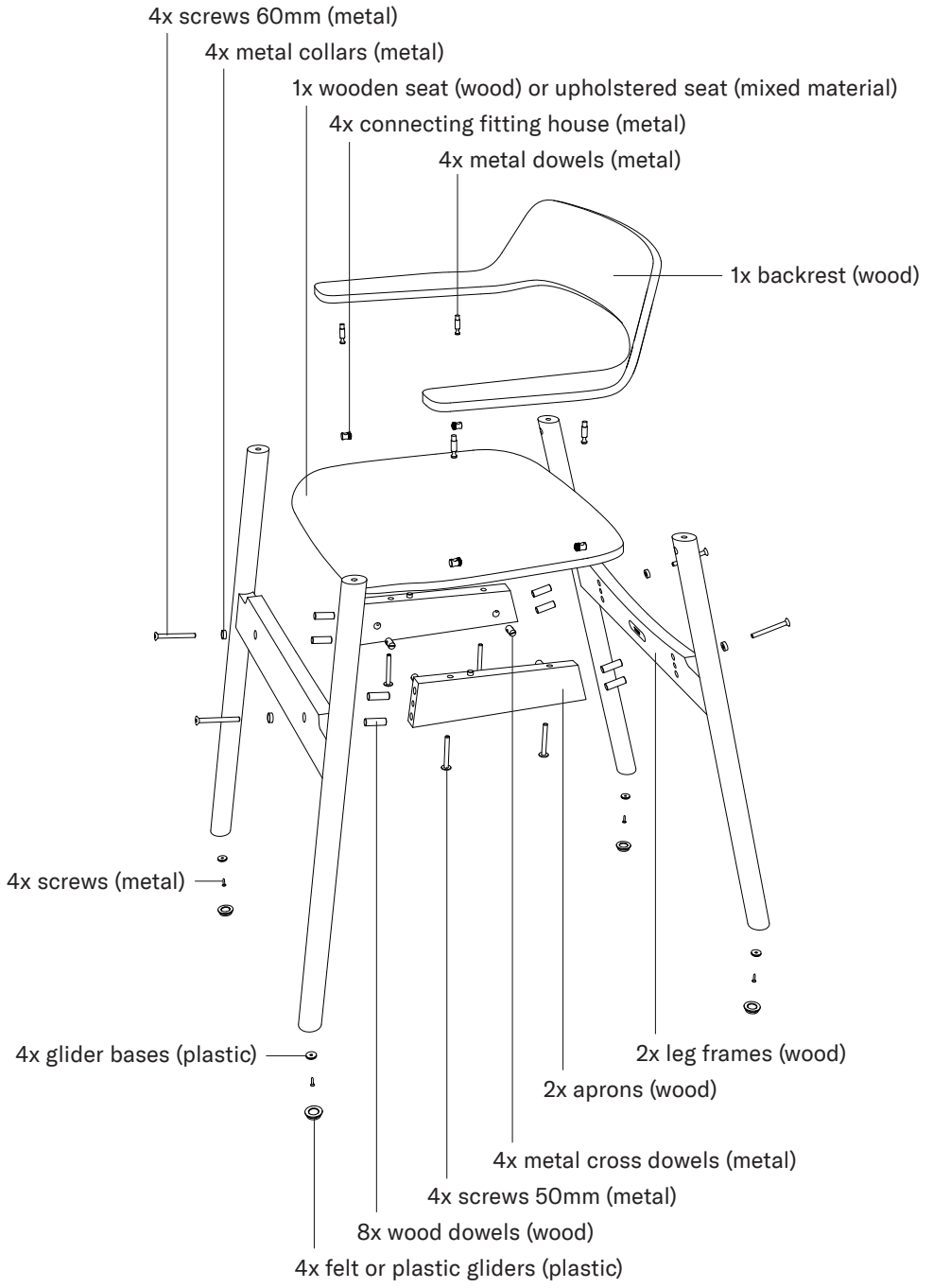
Untighten screws by turning the Allen key counter clockwise to separate the different parts.

Metal parts and plastic parts can be delivered to a suitable recycling facility and be recycled.

Wooden parts can be delivered to a suitable recycling facility and be recycled or used for energy recovery through incineration.

Mixed material can be delivered to a recycling facility for suitable disposal.

info@taktcph.com



TAKTTM
