

# TAKT™



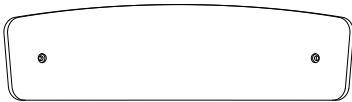
## T20 Cross Task Chair

**Building Instructions**

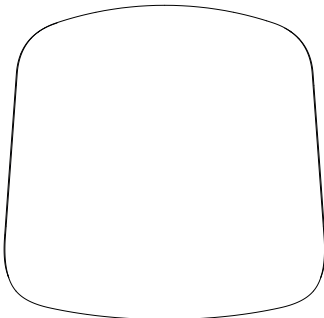
**Important Notice**

Only use the listed tools.  
Do **not** use power tools.  
Tighten in accordance with  
the building instructions.  
Avoid over-tightening.  
There is no need for  
strong force.

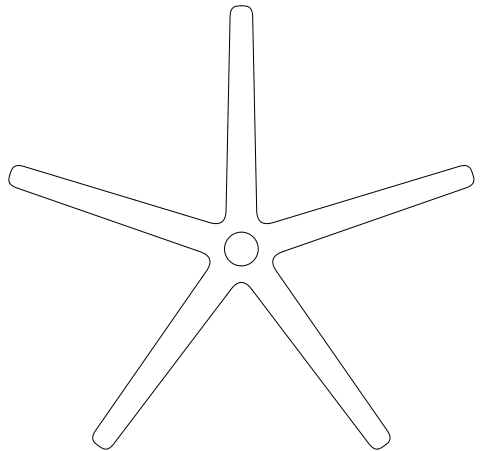
1x backrest



1x seat



1x star base



A 2x screws (20mm)



B 6x washers



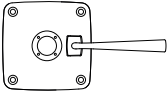
C 4x screws (25mm)



1x Allen key (SW4)



1x lever mechanism



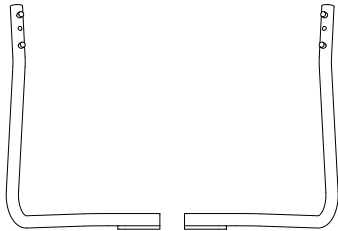
1x gas spring



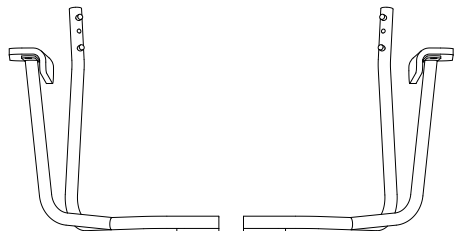
5x castors



2x backrest supports



or



## Product Information

‘T20 Cross Task Chair’  
is a chair designed for  
indoor use. The chair is  
tested according  
to EN 16139 - L1.

### Weight

*without armrest*

8,1 kg

8,5 kg with upholstery

*with armrest*

10,5 kg

10,9 kg

### Main dimensions

H: 774-924 mm

D: 702 mm

W: 702 mm

### Seat dimensions

H: 440-590 mm

D: 459 mm

W: 472 mm

### Materials

Seat and back: Molded plywood

Armrest: Molded plywood (optional)

Surface treatment: Water based lacquer

Fittings: Steel

Backrest support: Powder coated steel

Lever mechanism: Plast

Gas spring: Powder coated steel

Star base: Powder coated aluminium

Castors: Plast and steel

### Upholstered version

Upholstered seat: Plywood and textile, leather or LEAP

Foam: OekoTex class 1 certified

UK version: Foam contains flame retardants melamine  
and TCPP and has been tested according to “BS5852  
part 2 ignition source 5 crib”

OekoTex class 2 certified.

UK version is not ecolabelled

### Tests & Declarations

The chair has passed the furniture test EN 16139 - L1

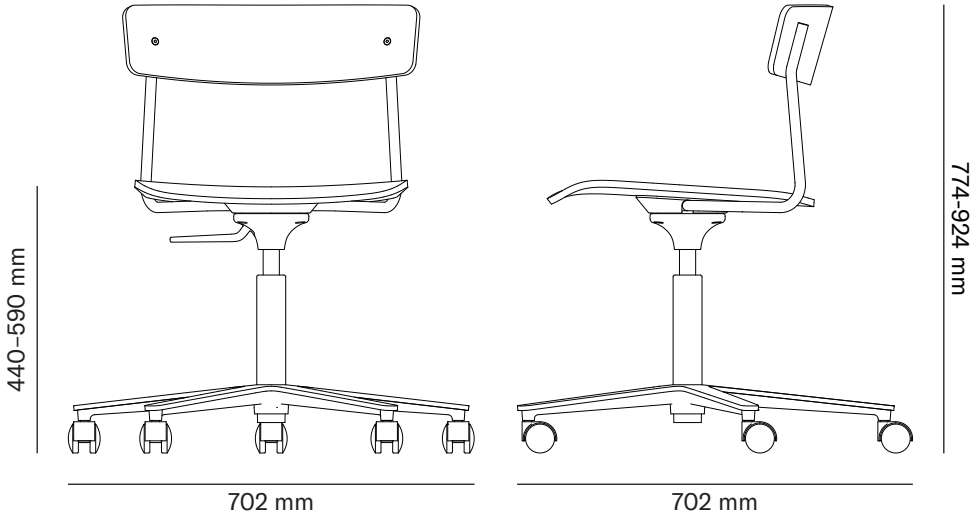
The chair is not treated with or containing disinfective  
biocides.



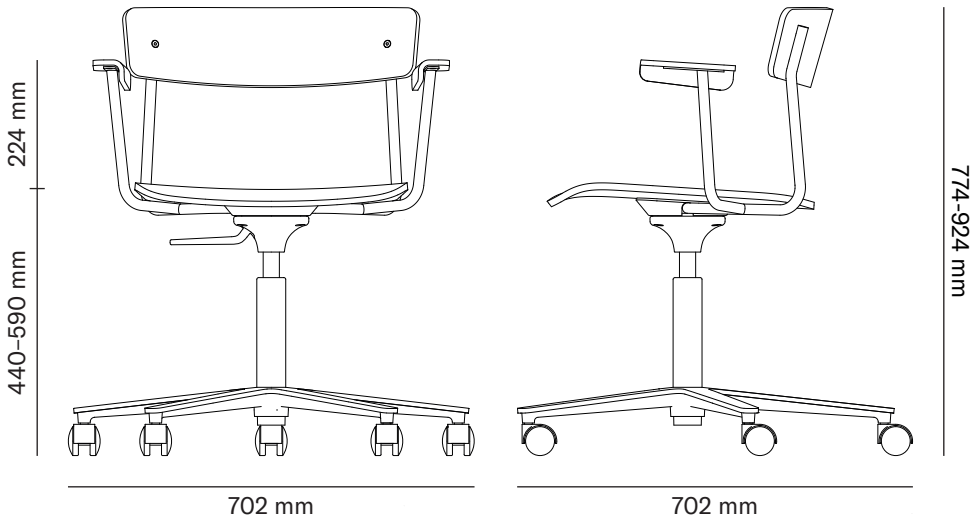
The mark of  
responsible forestry

## Dimensions

### Version without armrest

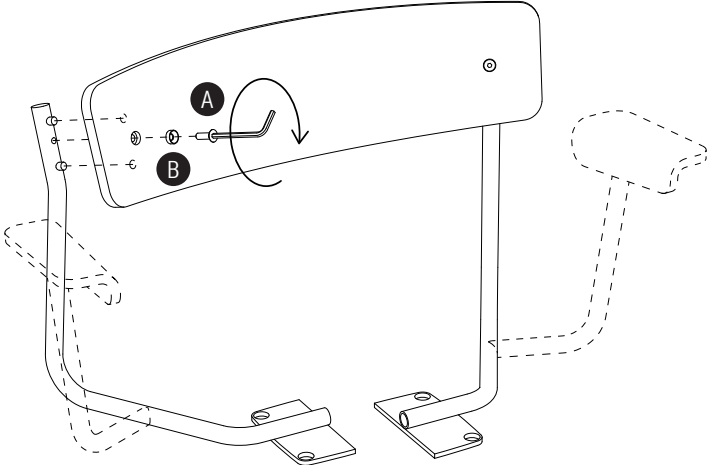


### Version with armrest

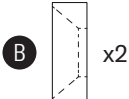
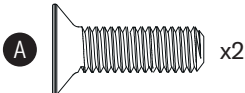


**Important!**

Make sure the screws easily grip the thread. Then tighten all screws.

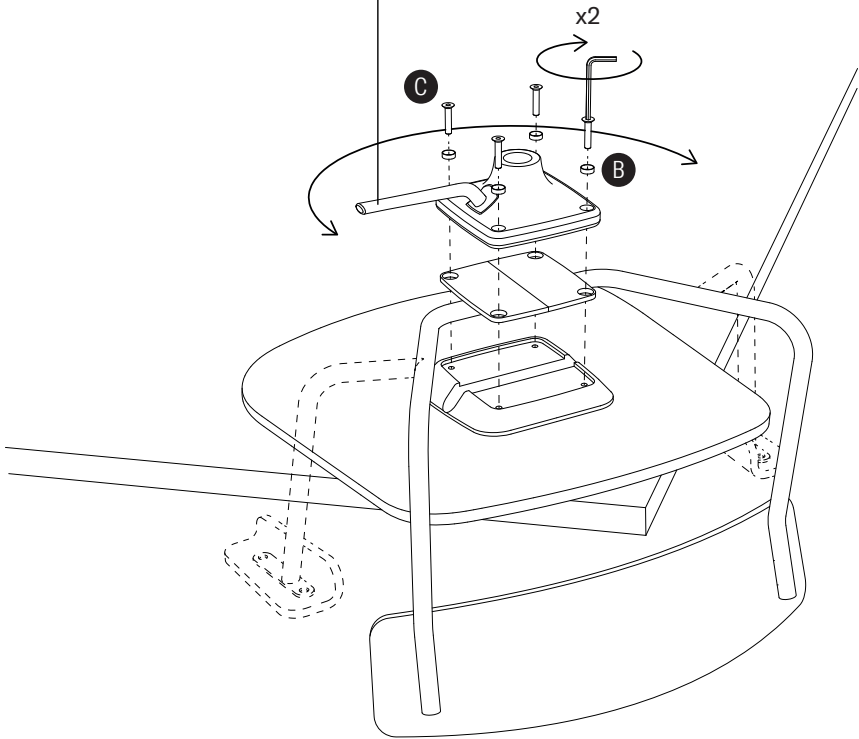


6



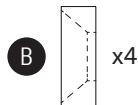
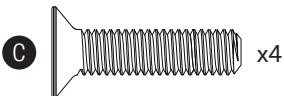
**Optional**

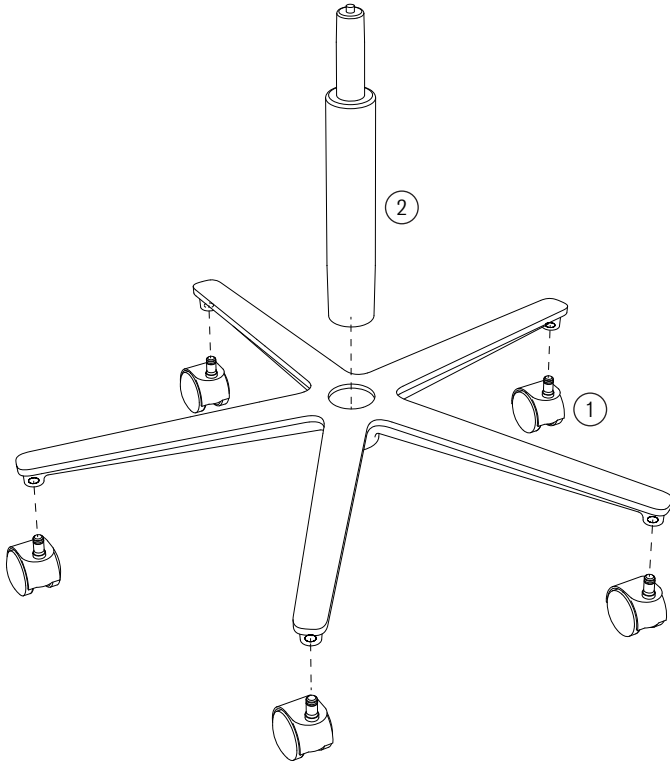
The lever can be positioned either on the right or left side.



**Important!**

Turn all screws ONLY two rounds. Make sure the screw easily grips the thread. When all screws grip the thread tighten all screws.

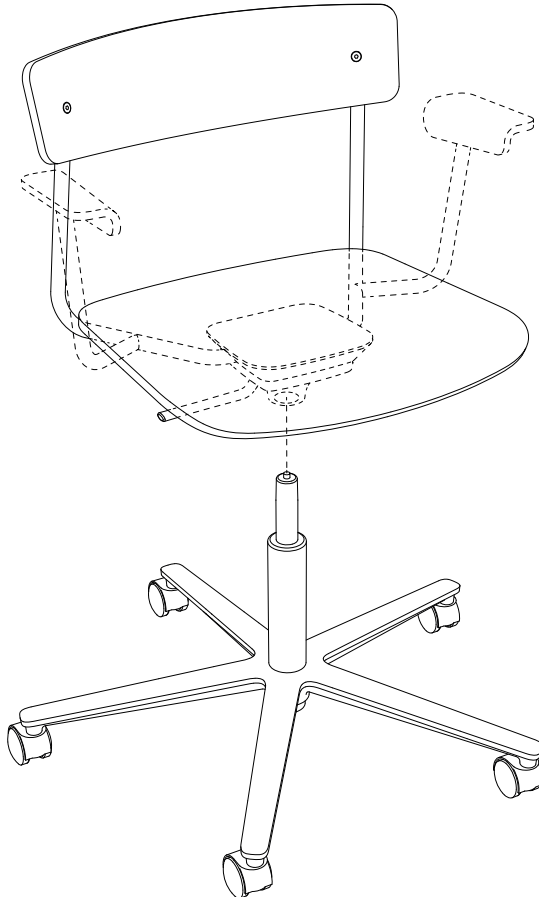






**IMPORTANT NOTICE!**

Before sitting on the chair, you should evaluate if you want to keep the chair. The lever mechanism, gas spring and star base connect with a smart conical interface that locks them tightly into place, making it almost impossible to disassemble once connected. This means that for practical reasons you invalidate the free return right once you have tightly assembled these pieces, because the chair will no longer fit into the packaging for return.



Lightly place hole in lever mechanism on top of gas spring.  
Evaluate if you want to keep the chair.  
Then sit on seat to push parts firmly together.

## **Additional Information**

# TAKT provides an extended warranty of 5 years on 'T20 Cross Task Chair'.

### **Warranty**

TAKT provides an extended warranty of 5 years on 'T20 Cross Task Chair'. The warranty covers breakage of components and damage occurred because of deficient craftsmanship under normal use.

The warranty shall lapse if the product shows signs of inappropriate use or other physical damage. The warranty does not cover wear or damage to castors, surfaces and the like. In each case, TAKT will decide whether to repair, offer a discount, exchange with a comparable product, or take the product back for a full discount.

### **Maintenance**

TAKT maintenance guide is accessible on our website

[www.taktcph.com/  
product-care/](http://www.taktcph.com/product-care/)

### **Spare Parts**

TAKT offers spare parts for 'T20 Cross Task Chair'. Spare parts are available from TAKT without charge for a period of 5 years from the date of purchase if the parts are found to be faulty during normal use. If the parts are damaged by misuse spare parts can be bought from TAKT.

TAKT always strives to deliver spare parts to you in the fastest and most efficient way in order for your furniture to return to a functional condition.

Please contact TAKT for inquiries regarding spare parts.

### **Recycling & Disassembly**

We hope that your TAKT product will serve you well for many, many years.

If you at one point want to recycle it, please separate it into components for sorting.

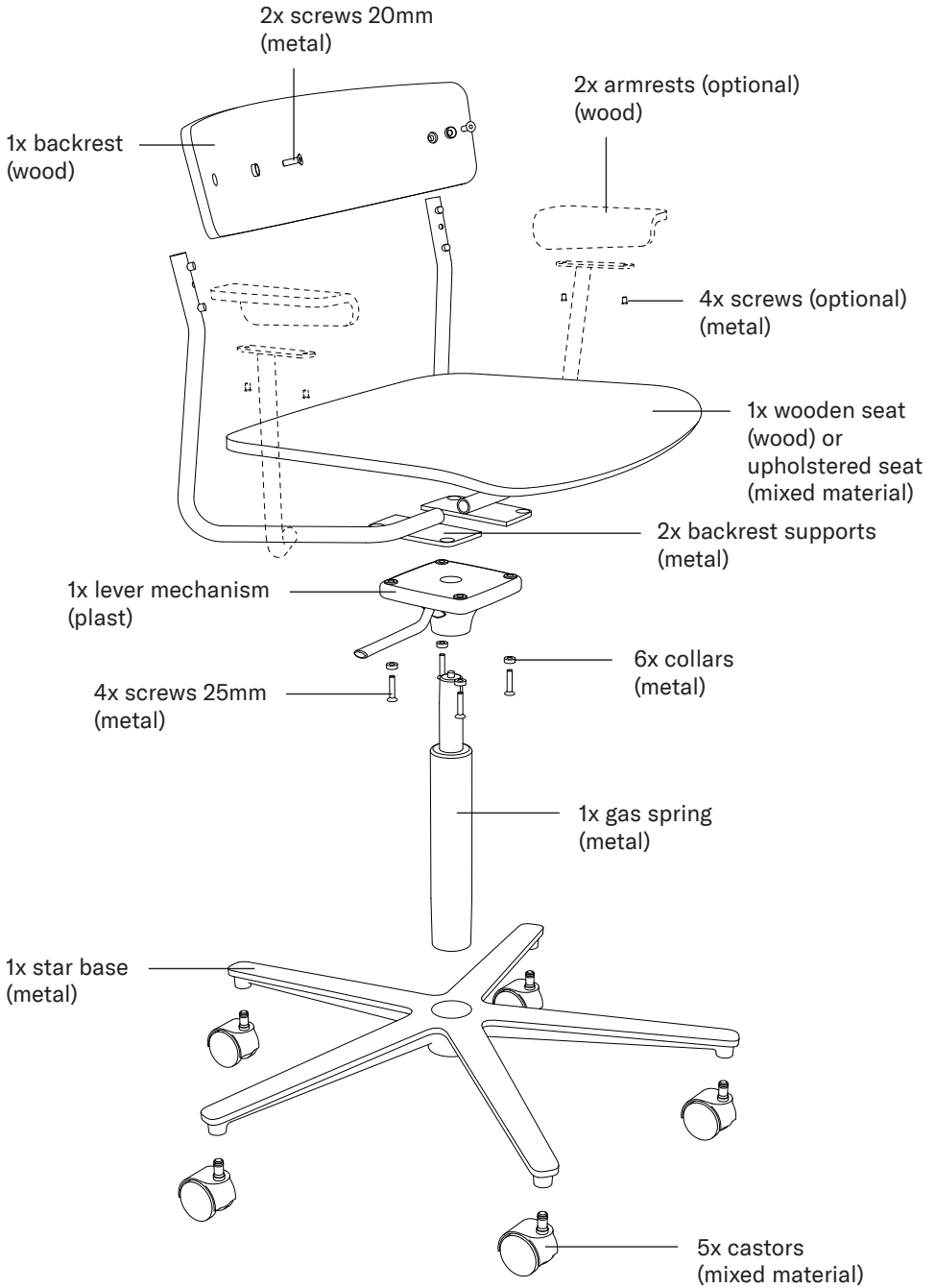
Untighten screws by turning the Allen key counter clockwise to separate the different parts.

Metal parts and plastic parts can be delivered to a suitable recycling facility and be recycled.

Wooden parts can be delivered to a suitable recycling facility and be recycled or used for energy recovery through incineration.

Mixed material and PUR parts can be delivered to a recycling facility for suitable disposal.

[info@taktcph.com](mailto:info@taktcph.com)



# **TAKT**<sup>TM</sup>

---